



# Product Submittal Sheet

Tech Support / Sales: 844-365-9462  
www.tamlyn.com

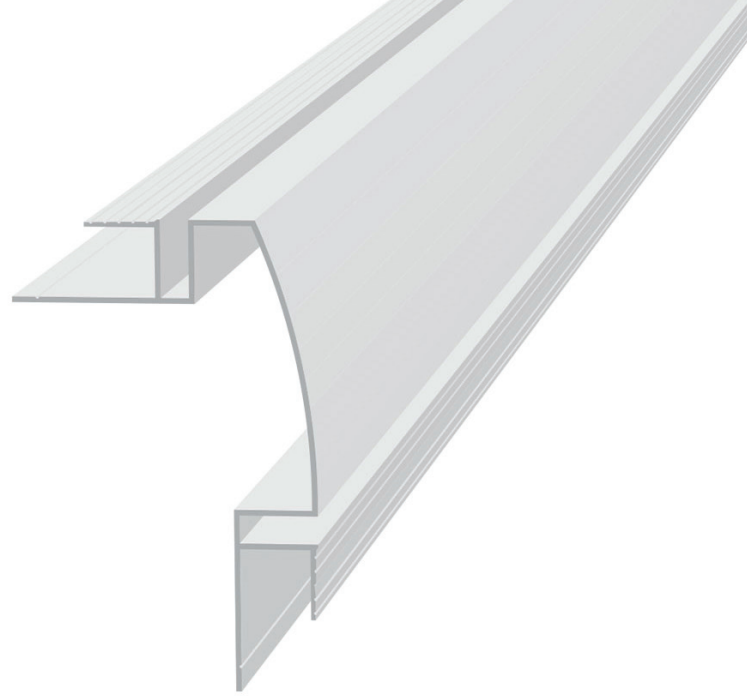
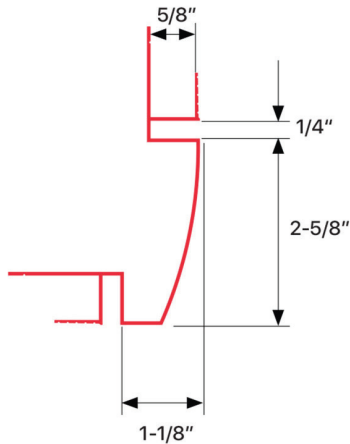
## CORNER RECTANGULAR TAPERED

### DESIGN FEATURES

Design feature with tapering asymmetrical corner for vertical and horizontal (for fur down applications) drywall or panel corners. Can be used in conjunction with wrapped surface finishes such as fabric or vinyl wall coverings. Provides corner protection and creates the illusion of a floating corner. Ridged faces provided for tape & float.

### MATERIAL

Available in 10' length. 6063 T5 aluminum with standard clear anodized or primed finish. Anodized color and powder coating finishes available with custom color matching.



### 09 27 01 (Gypsum Board Accessories)

XtremeInterior™ profiles are subjected to alterations with or without notice

### Green Building and LEED

Tamlyn products can earn or contribute to credits in categories MR 4.1 and MR 4.2. These credits require a minimum percentage of the value of the building materials to be recycled. Also EQ, Low Emitting Materials Credit and EA, Optimized Energy Performance Credit. Tamlyn products are typically made from 75-100% post industrial and post consumer scrap.

For more details and LEED letters contact Technical Support at 844-334-1676.

© 2019 R.H. Tamlyn & Sons, LP

#### Project Information

Name:  
Address:

#### Contractor Information

Name:  
Contact:  
Phone:  
Fax:

#### Architect Information

Name:  
Contact:  
Phone:  
Fax: