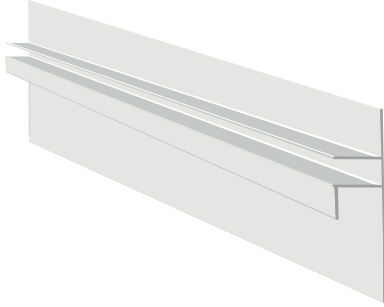


BLF



DESIGN FEATURES

Uniquely designed profile that creates a recessed base at the bottom of a wall adding a decorative flange as well as a reveal. Can be used with virtually any wall material including panels and wrapped surface finishes such as fabric or vinyl wall coverings.

Available in 10' length. 6063 T5 aluminum with standard clear anodized or primed finish. Anodized color and powder coating finishes available with custom color matching.

