

DESIGN FEATURES

Designed to provide clearance between siding products and roofs, decks, paths, steps, driveways or any other solid surfaces. FTF4 can be further field formed to create special job parts. *Code requirement in some markets.

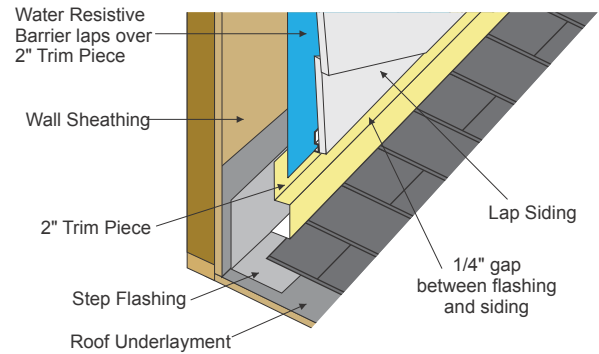
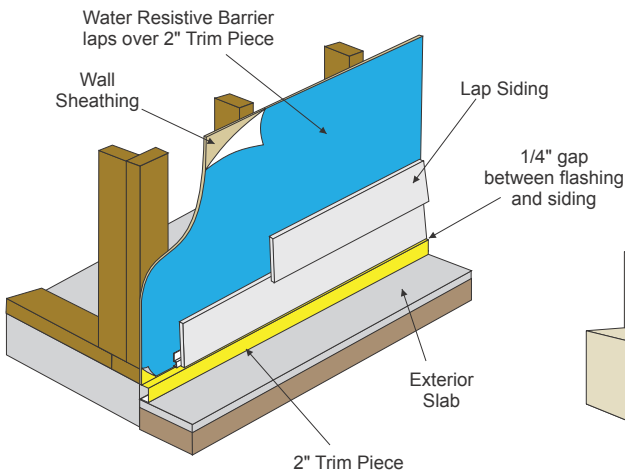
MATERIAL

Primed: .019" ± .003 Galvanized steel with proprietary coating that protects against harsh weather conditions and allows for paint adhesion.

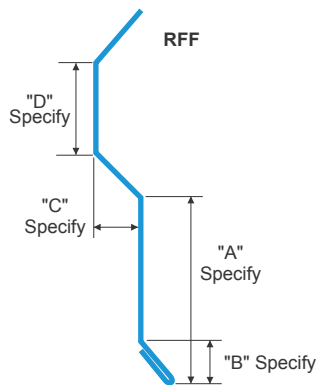
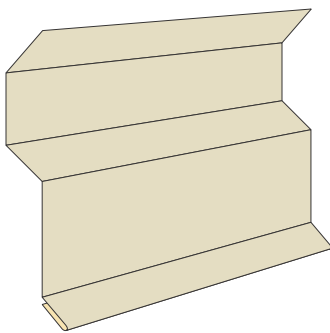
Color Matched: .019 ± .003 Aluminum sheet coated 2 sides with paint system that is specifically formulated for exterior applications.

Available in most popular Siding and Soffit colors. Specify color code using Color Palette on page 6.

8' Length Standard. All dimensions are nominal.



Reglet Flashing



DESIGN FEATURES

Illustrated are examples of ways TAMLYN can produce appropriate reglet flash for your project. Based on the height of the wall to be flashed, the composition of the wall surface, and whether hidden or exposed fasteners are desired, the fabrication will be produced from first quality materials and is available pre-finished or ready to paint.

MATERIAL

Primed: .019" ± .003 Galvanized steel with proprietary coating that protects against harsh weather conditions and allows for paint adhesion.

Color Matched: .019 ± .003 Aluminum sheet coated 2 sides with paint system that is specifically formulated for exterior applications.

Available in most popular Siding and Soffit colors. Specify color code using Color Palette on page 6.

8' Length Standard. All dimensions are nominal.

