

MATERIAL

Aluminum sheet coated on both sides with paint system that is specifically formulated for residential exterior applications.

Available Colors : Primed, Navajo Beige, Khaki Brown and Iron Grey. Call for pricing and availability for other colors.

NOTE: Slight color variance lot to lot

Stock Colors*



Not Stock Colors \ 10 Box Minimum



DESIGN FEATURES

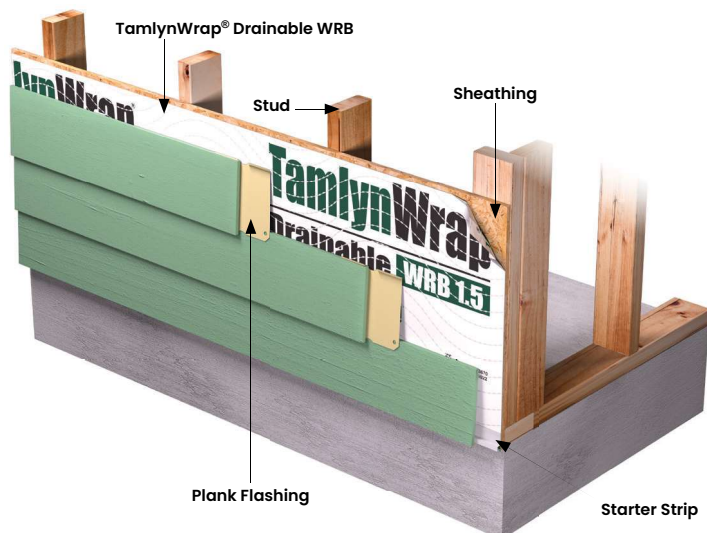
Used to reduce moisture penetration behind the joint where two planks butt together and drain water over the top edge of the last full course of siding. Patented design allows for quick and easy installation.

MATERIAL

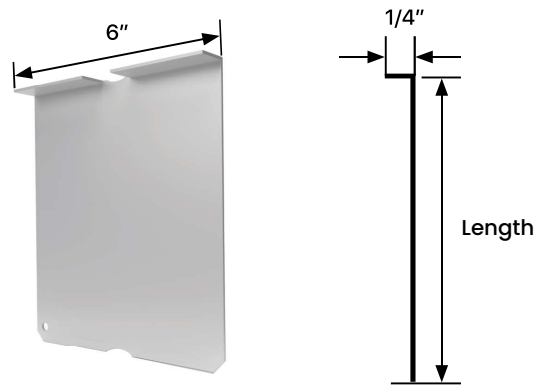
PRIMED (ALL SIZES) : 0.012" ± 0.003 durable aluminum sheet coated on both sides with paint system that is specifically formulated for long term residential exterior applications.

STD COLORS : Durable aluminum sheet coated on both sides with paint system that is specifically formulated for long term residential exterior applications.

All dimensions are nominal.



US Patent #7721488



| ITEM ID | SIDING SIZE | LENGTH |
|---------|-------------|---------|
| PF5 | 5-1/4" | 5" |
| PF6 | 6-1/4" | 6" |
| PF7 | 7-1/4" | 7" |
| PF8 | 8-1/4" | 8" |
| PF9 | 9-1/4" | 9" |
| PF12 | 12" | 11-3/4" |