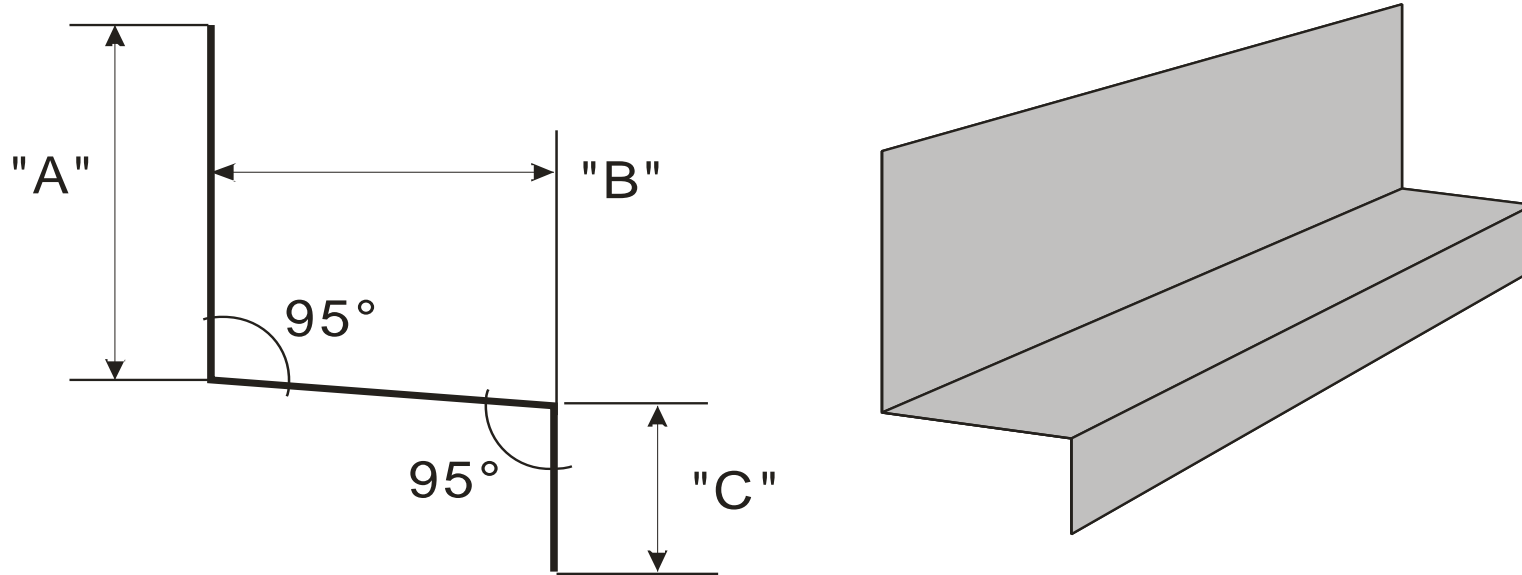


TAMLYN PRODUCT SUBMITTAL



UNLESS OTHERWISE SPECIFIED, STANDARD FABRICATION TOLERANCES APPLY.

TITLE:

1/2" X 3/4" X 3/4" 10' Z Flashing

"A" (INCH) :	0.75	GAUGE:	32 GA
"B" (INCH):	0.75	THICKNESS (INCH):	0.01
"C" (INCH):	0.5	PERIMETER (INCH):	2
LENGTH (INCH):	120	MATERIAL:	GALVANIZED
WEIGHT (LBS):	0.68		ASTM A 653 G90



R.H. TAMLYN & SONS, LP

13623 Pike Road, Stafford, TX 77477
 PHONE: 281-499-9604, FAX: 281-499-8948

DATE:

08/31/12

PART #

ZB34

DRAWN BY:

CK

APPROVED BY: