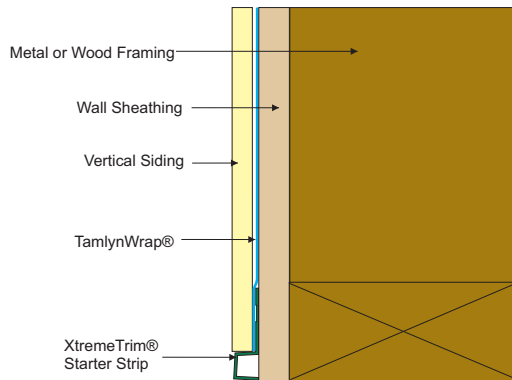
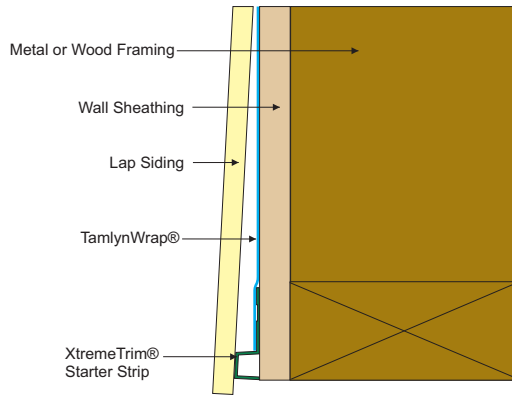
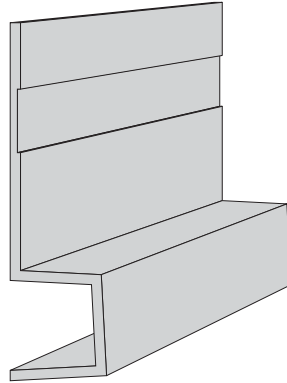
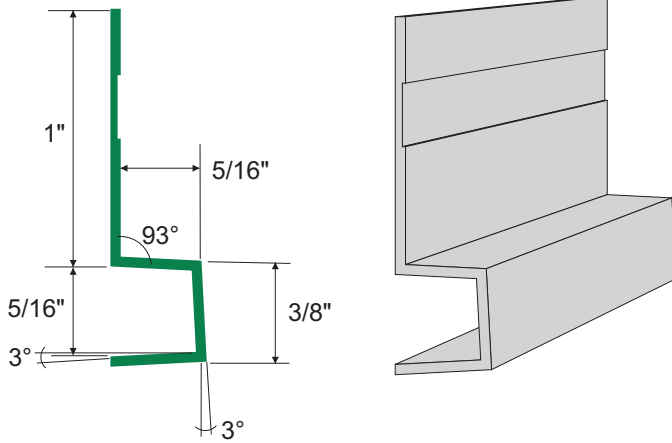


PRODUCT SHEET



DESIGN FEATURES:

Starter/bottom course for both vertical and lap siding. Provides ease-of-installation with correct angle.

MATERIAL:

6063-T5 .040" ± .005 extruded aluminum alloy with proprietary coating that protects against harsh weather conditions and allows for paint adhesion.

*The standard thickness tolerance for products made from aluminum sheet material shall be +0.000", - 0.003".

FINISH:

Unless specified all XtremeTrim® items are provided in primed finish. Also available in popular siding/soffit colors in standard face only color match or full coverage CoastalColorCoating™. Clear Anodized is stocked and custom anodized is available (minimums apply).

LENGTH: 96" (8')

PACK : 25 pcs per carton

WEIGHT: 0.88 lbs per piece



www.tamlyn.com

R.H. TAMLYN & SONS, LP
13623 PIKE ROAD, STAFFORD TX, 77477
TEL: 281-499-9604, FAX: 281-499-8948

Description: **XtremeTrim® Starter Strip**

Product ID: **XS516-25**

**DIMENSIONS ARE IN INCHES
UNLESS OTHERWISE SPECIFIED
DO NOT SCALE DRAWING**

Date:

07/12/16

DWG #:

XS516