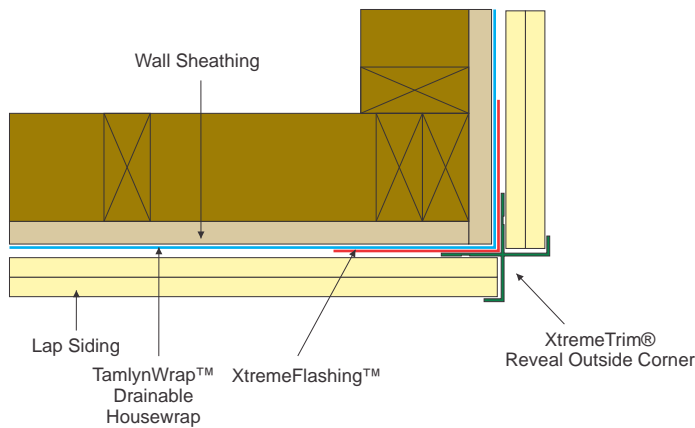
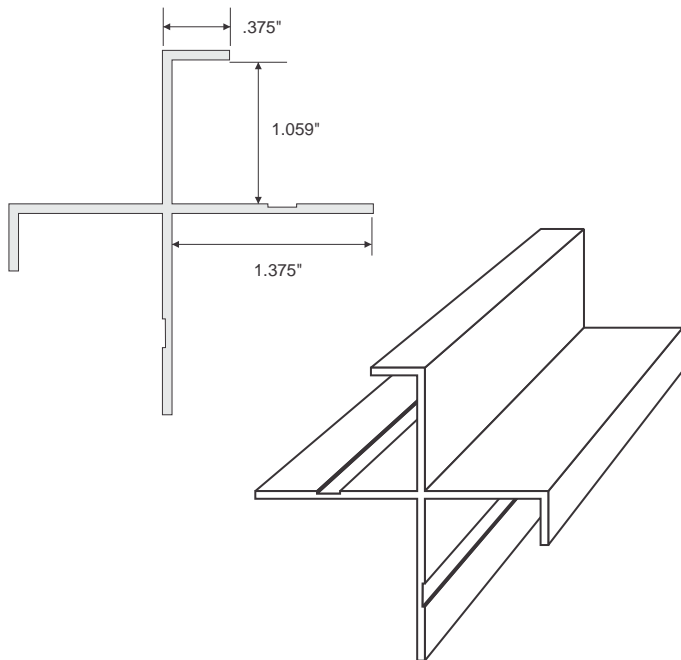


# PRODUCT SHEET



**MATERIAL:** Custom die-extruded from heavy-duty, 6063 T-5 extruded aluminum alloy with proprietary coating that protects against harsh weather conditions and allows for paint adhesion.

Available in standard primed (ready-to-paint), color match, and anodized finishes. Unless otherwise specified all Xtreme Trim™ products are provided in primed, ready-to-paint finish.

**LENGTH:** 120" (10')

**NOMINAL THICKNESS\*:** 0.050"

**WEIGHT:** 3.7 lbs/each

\*The standard thickness tolerance for products made from aluminum sheet material shall be +0.000", -0.003".

**DESIGN FEATURES:** Provides a good looking, durable outside corner with vertical siding panels.

**EXPANSION & CONTRACTION:** Siding panels will expand and contract due to changes in temperature. Allow a 1/8" gap between panels and trim.

**FASTENERS:** Stainless steel fasteners are recommended when installing Tamlyn Xtreme Trim™.

**FASTENING:** Do not fasten edges of panels until trims are in place. Fasten panel at center and work outward. Fasteners should be staggered on opposite panel edges.

**CUTTING:** Use a non ferrous carbide miter saw blade when cutting Tamlyn Xtreme Trim™

**Please follow siding manufacturers best practice application when installing any Tamlyn accessory. Xtreme Trim™ profiles do not form a moisture management system, the architect and builder are responsible for designing and installing a code compliant building envelope.**

#### Tamlyn Best Practice for installing corners

1. Install house wrap - continuous from bottom to top, overlapping as per manufacturer's install method.
2. Install 12" self adhesive membrane tape vertically at both inside and outside corners for additional protection against break down.



www.tamlyn.com

R.H. TAMLYN & SONS, LP  
13623 PIKE ROAD, STAFFORD TX, 77477  
TEL: 281-499-9604, FAX: 281-499-8948

Description: **XtremeTrim® Reveal Outside Corner**

Product ID: **XOCR1-5**

**DIMENSIONS ARE IN INCHES  
UNLESS OTHERWISE SPECIFIED  
DO NOT SCALE DRAWING**

Date:

**8/30/2011**

DWG #:

**XOCR1**