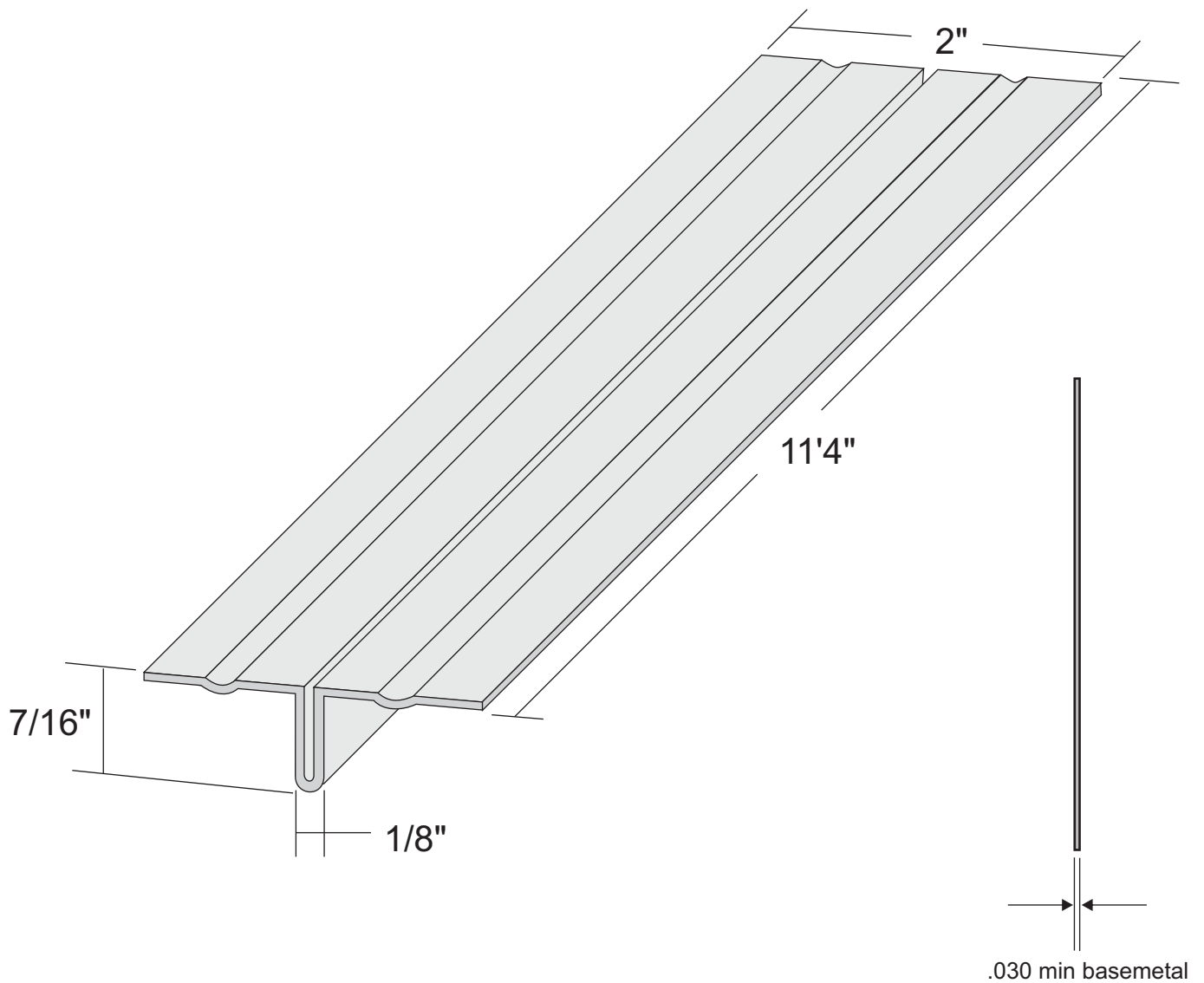


C40. WBT12



PRODUCT ID : **WBT12 - "T" Wall Brace**

WEIGHT (LBS) : **3.03**

DIMENSION : **2" W x 11'4" L**

MATERIAL : 22 ga. (.030 min basemetal) x 2.625" Galvanized Steel ASTM A653 G90 FY/FU=33/45 ksi min

NAILS: **5**

BOX #: **RHT-30**

QTY./BOX : **20**

BOX WT. (LBS) : **60.6**

CARTON UPC# **63225990027-7**

PRODUCT UPC# **63225950111-5**