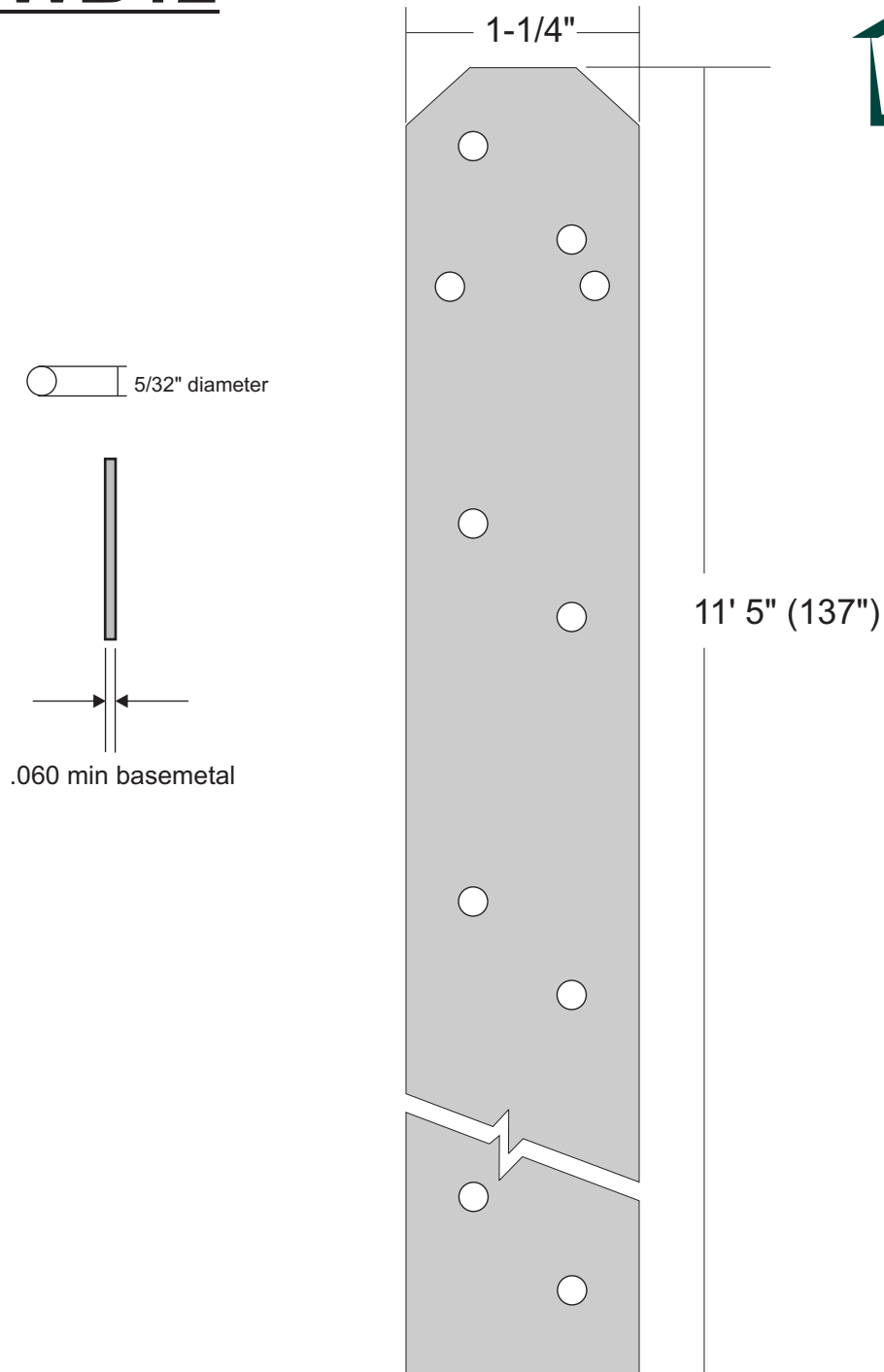


C36. WB12



PRODUCT ID : **WB12 - Flat Wall Brace**

WEIGHT (LBS) : **3.01**

DIMENSION : **1-1/4" W x 11'5" L**

MATERIAL : 16 ga. (.060 min basemetal) x 1-1/4" Galvanized Steel ASTM A653 G90 FY/FU=33/45 ksi min

NAILS: **4**

BOX #: **N/A**

QTY./BOX : **20**

BOX WT. (LBS) : **60.2**

CARTON UPC# **N/A**

PRODUCT UPC# **63225950113-9**