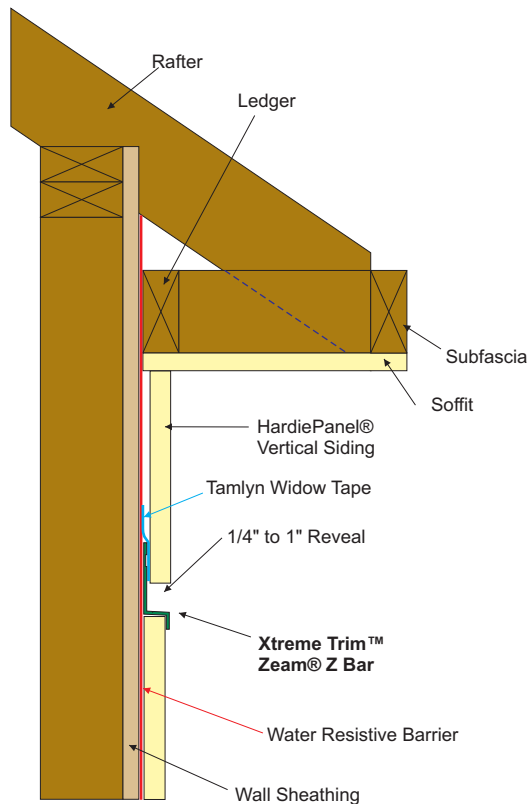
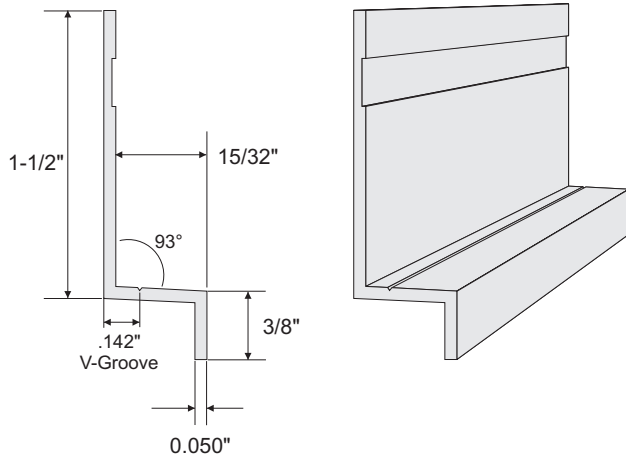


PRODUCT SHEET



MATERIAL: Custom die-extruded from heavy-duty, 6063 T-5 extruded aluminum.

FINISH: Standard Clear Anodized Finish- Architectural 200R1 medium etch (AA-M32C10A21). Thickness of anodic coating shall be tested in accordance with ASTM B-244-68.

The Clear Anodized finish is an electrochemical conversion process that deposits an oxide film on the aluminum trim. A natural oxidation process occurs on bare aluminum, however producing the oxidation process artificially creates a thicker, harder, and more durable "oxide film." Clear Anodized is an extremely durable finish and is resistant to most forms of corrosion. Please Note: Clear Anodized Finishes can vary from one piece of trim to another. This is one of the characteristics of the anodizing process and must be considered before any orders are placed.

LENGTH: 120" (10')

NOMINAL THICKNESS*: 0.050"

WEIGHT: 1.4 lbs/each

*The standard thickness tolerance for products made from aluminum sheet material shall be +0.000", -0.003".

DESIGN FEATURES: Provides an aesthetically attractive horizontal reveal between HardiePanel®. Design to work in conjunction with Xtreme Trim™ Vertical Reveal and siding H-Mold.

EXPANSION & CONTRACTION: Siding panels will expand and contract due to changes in temperature. Allow a 1/8" gap between panels and trim.

FASTENERS: Stainless steel fasteners are recommended when installing Tamlyn Xtreme Trim™.

FASTENING: Do not fasten edges of panels until trims are in place. Fasten panel at center and work outward. Fasteners should be staggered on opposite panel edges.

CUTTING: Use a non ferrous carbide miter saw blade when cutting Tamlyn Xtreme Trim™

Please follow siding manufacturers best practice application when installing any Tamlyn accessory. Xtreme Trim™ profiles do not form a moisture management system, the architect and builder are responsible for designing and installing a code compliant building envelope.



R.H. TAMLYN & SONS, LP
13623 PIKE ROAD, STAFFORD TX, 77477
TEL: 281-499-9604, FAX: 281-499-8948

Description: **XtremeTrim™ Horizontal Zeam® Z Bar**
Clear Anodize

Product ID: **VZBHD10-CA**

DIMENSIONS ARE IN INCHES
UNLESS OTHERWISE SPECIFIED
DO NOT SCALE DRAWING

Date:

8/30/2011

DWG #:

VZBHDCA