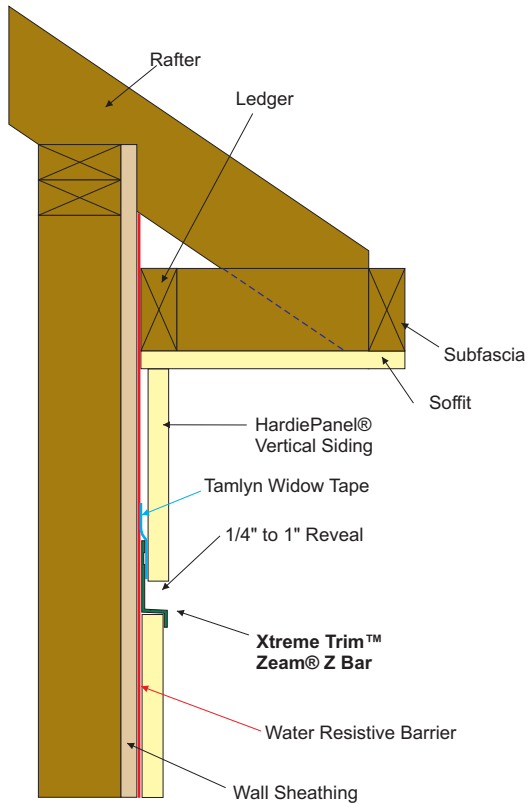
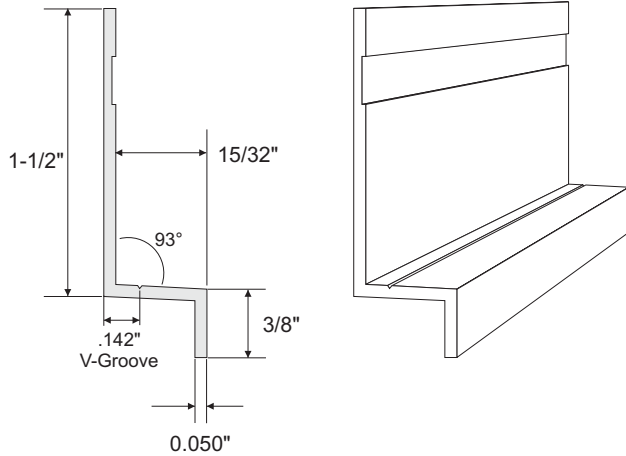


PRODUCT SHEET



MATERIAL: Custom die-extruded from heavy-duty, 6063 T-5 extruded aluminum alloy with proprietary coating that protects against harsh weather conditions and allows for paint adhesion.

Available in standard primed (ready-to-paint), color match, and anodized finishes. Unless otherwise specified all Xtreme Trim™ products are provided in primed, ready-to-paint finish.

LENGTH: 120" (10')

NOMINAL THICKNESS*: 0.050"

WEIGHT: 1.4 lbs/each

*The standard thickness tolerance for products made from aluminum sheet material shall be +0.000", -0.003".

DESIGN FEATURES: Provides an aesthetically attractive horizontal reveal between HardiePanel®. Design to work in conjunction with Xtreme Trim™ Vertical Reveal and siding H-Mold.

EXPANSION & CONTRACTION: Siding panels will expand and contract due to changes in temperature. Allow a 1/8" gap between panels and trim.

FASTENERS: Stainless steel fasteners are recommended when installing Tamlyn Xtreme Trim™.

FASTENING: Do not fasten edges of panels until trims are in place. Fasten panel at center and work outward. Fasteners should be staggered on opposite panel edges.

CUTTING: Use a non ferrous carbide miter saw blade when cutting Tamlyn Xtreme Trim™

Please follow siding manufacturers best practice application when installing any Tamlyn accessory. Xtreme Trim™ profiles do not form a moisture management system, the architect and builder are responsible for designing and installing a code compliant building envelope.



R.H. TAMLYN & SONS, LP
13623 PIKE ROAD, STAFFORD TX, 77477
TEL: 281-499-9604, FAX: 281-499-8948

Description: **XtremeTrim™ Horizontal Zeam® Z Bar**

Product ID: **VZBHD10-25**

**DIMENSIONS ARE IN INCHES
UNLESS OTHERWISE SPECIFIED
DO NOT SCALE DRAWING**

Date:

8/30/2011

DWG #:

VZBHD10