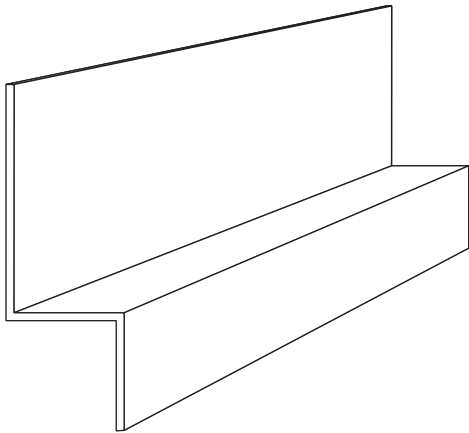
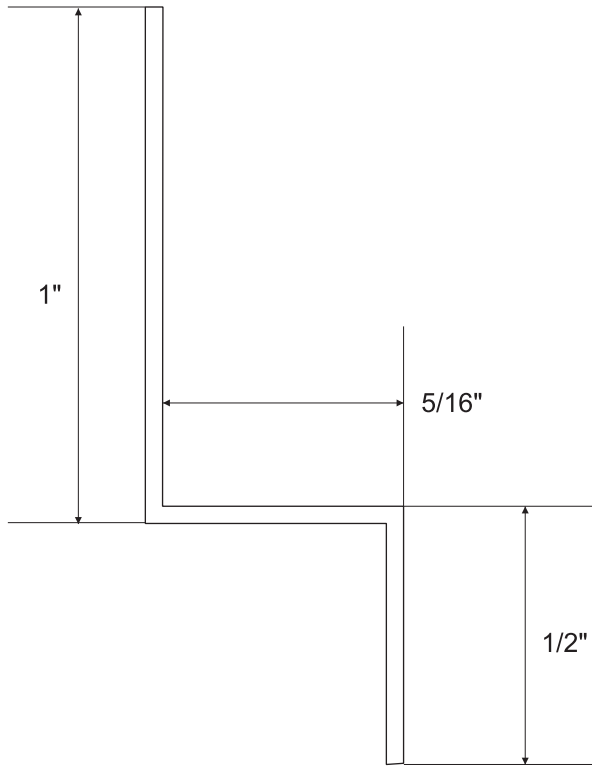


# PRODUCT SHEET

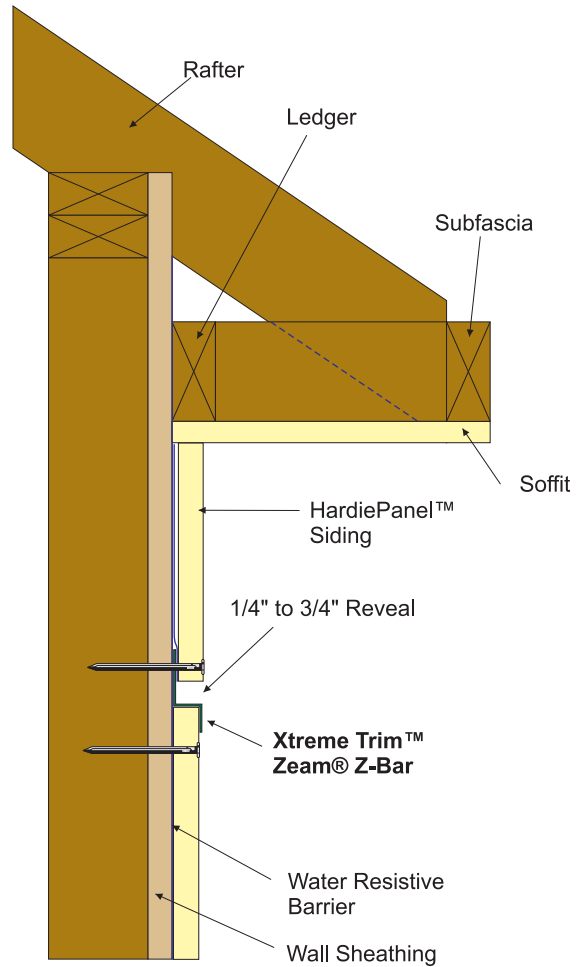


**MATERIAL:** 28ga Galvanized steel with proprietary coating that protects against harsh weather conditions and allows for paint adhesion.

**THICKNESS:** (.014 min decimal) HDG Galvanized - ASTM A 153 Class B-2.

**DESIGN FEATURES:** Provides an aesthetically attractive horizontal reveal while serving as a rustproof flashing between HardiePanel™.

\*The standard thickness tolerance for products made from aluminum sheet material shall be +0.000", -0.003".



www.tamlyn.com

R.H. TAMLYN & SONS, LP  
13623 PIKE ROAD, STAFFORD TX, 77477  
TEL: 281-499-9604, FAX: 281-499-8948

Description:

**Xtreme Trim™ 5/16" x 8' Zeam® Z-Bar**

Product ID:

**VZB5168**

DIMENSIONS ARE IN INCHES  
UNLESS OTHERWISE SPECIFIED  
DO NOT SCALE DRAWING

Date:

**2/25/09**

DWG #:

**VZB**