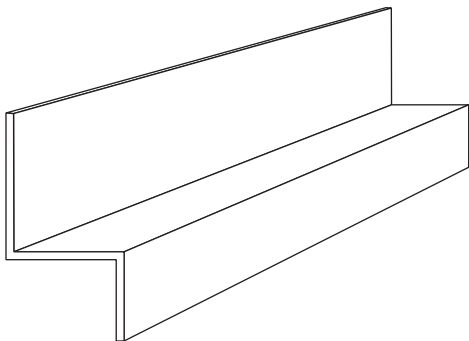
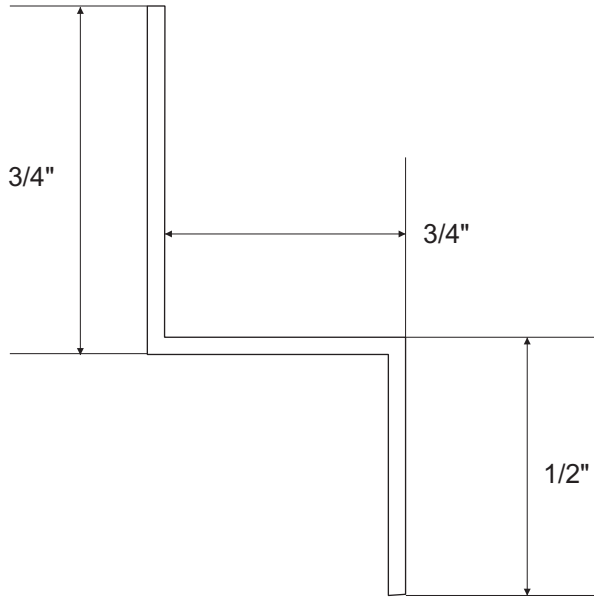


PRODUCT SHEET

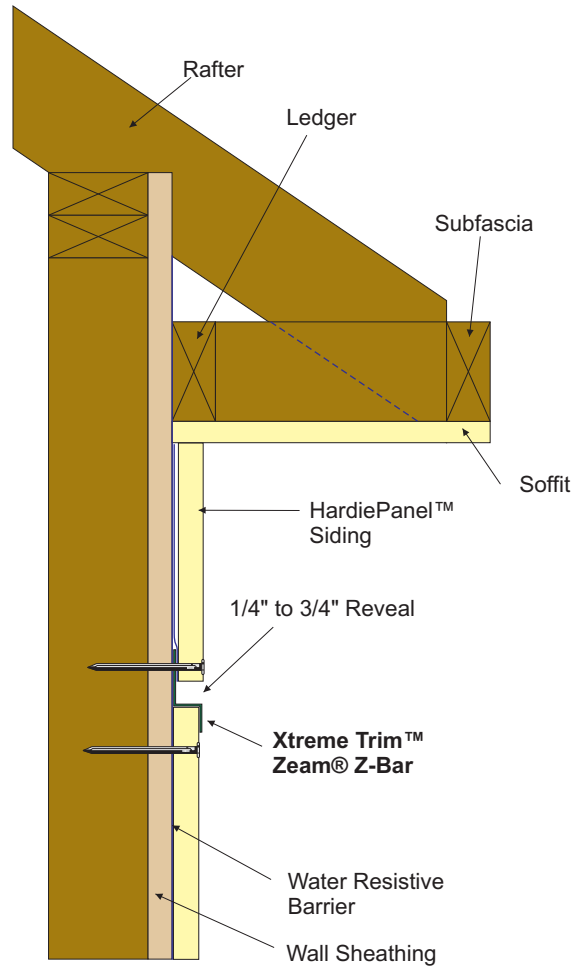


MATERIAL: 26ga Galvanized steel with proprietary coating that protects against harsh weather conditions and allows for paint adhesion.

THICKNESS: (.019 min decimal) HDG Galvanized - ASTM A 153 Class B-2.

DESIGN FEATURES: Provides an aesthetically attractive horizontal reveal while serving as a rustproof flashing between HardiePanel™.

*The standard thickness tolerance for products made from aluminum sheet material shall be +0.000", -0.003".



www.tamlyn.com

R.H. TAMLYN & SONS, LP
13623 PIKE ROAD, STAFFORD TX, 77477
TEL: 281-499-9604, FAX: 281-499-8948

Description:

Xtreme Trim™ 3/4" x 8' Zeam® Z-Bar

Product ID: **VZB348**

DIMENSIONS ARE IN INCHES
UNLESS OTHERWISE SPECIFIED
DO NOT SCALE DRAWING

Date:

2/25/09

DWG #:

VZB