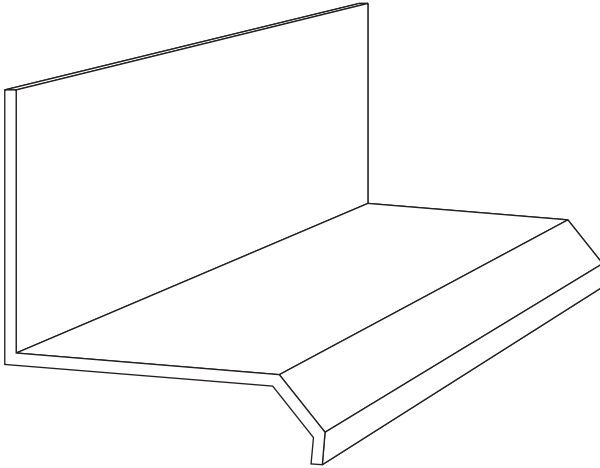
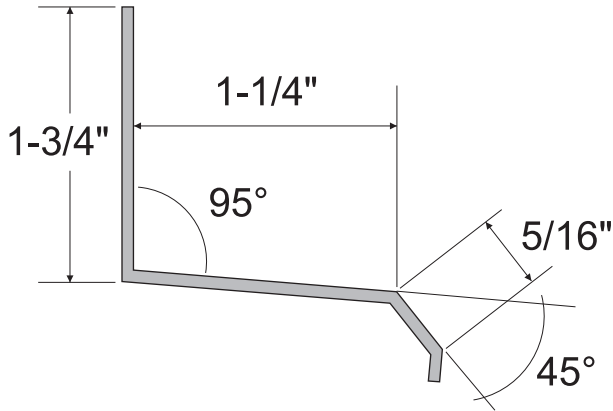


# PRODUCT SHEET



**MATERIAL:** Custom die-extruded from heavy duty, 6063 T-5 extruded aluminum alloy with proprietary coating that protects against harsh weather conditions and allows for paint adhesion. Also available in anodized finishes.

**LENGTH:** 96" (8')

**NOMINAL THICKNESS\*:** 0.050"

**PACK:** 25 pcs per carton

**WEIGHT:** 1.68 lbs/each, 42 lbs/carton

**DESIGN FEATURES:** Provides an easy to install and long-lasting method of stopping water penetration at horizontal seams of vertical siding.

\*The standard thickness tolerance for products made from extruded aluminum material shall be +0.005", -0.005".



www.tamlyn.com

R.H. TAMLYN & SONS, LP  
13623 PIKE ROAD, STAFFORD TX, 77477  
TEL: 281-499-9604, FAX: 281-499-8948

Description:

**XtremeTrim™ Window Flashing**

Product ID:

**VWF1148-25**

\*Specify the color number when ordering

DIMENSIONS ARE IN INCHES  
UNLESS OTHERWISE SPECIFIED  
DO NOT SCALE DRAWING

Date:

**4/18/11**

DWG #:

**VWF1148**