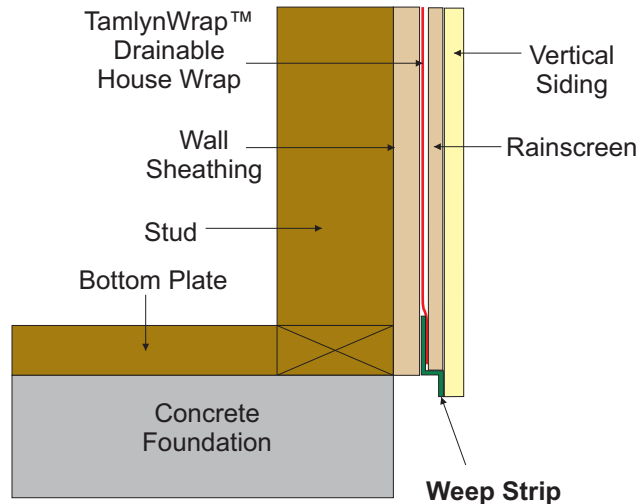
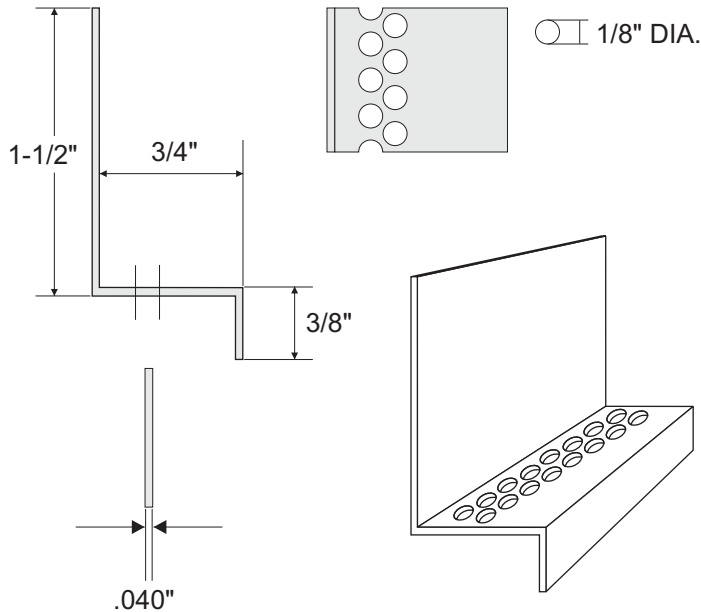


PRODUCT SHEET



MATERIAL: Extruded rigid PVC, industry-standard, durable, chemically resistant product designed for outdoor weatherability.

LENGTH: 96" (8')

NOMINAL THICKNESS*: 0.040"

PACK: 50 pcs per carton

WEIGHT: 1 lb/each, 50 lbs/carton

DESIGN FEATURES: Starter/bottom course for both lap siding and vertical siding. Perforated holes allow any moisture build up behind the siding panels to weep out while preventing pests from entering. The venting also provides cavity ventilation which assists in drying cavity moisture and also helps increase energy efficiency due to the separation between outside heat and interior walls.

*The standard thickness tolerance for products made from aluminum sheet material shall be +0.000", -0.003".

PVC Trim Painting Guide

Tamlyn PVC Trim may be painted to achieve a custom color.

Use a light color, 100% acrylic latex paint with a light reflective value (LRV) of 55 or higher (Flat Black=0, pure white=100). Painting PVC trim with dark colors may cause the product to warp

Tamlyn does not recommend painting our PVC products with dark colors unless a good quality heat reflective paint is used such as Sherwin-Williams Vinyl Safe™, and that it is applied according to the paint manufacturer's recommended application instructions

If a dark color (LRV value of 50 or lower/darker) paint is used, excess solar heat may be absorbed, subjecting the PVC to warping and distortion due to extremes of thermal expansion and contraction. This reaction is even more evident when these parts are exposed to direct sunlight in hot climates. Paint adhesion loss, blistering and peeling may also result

Failure to use heat reflective dark color paints on Tamlyn PVC products will void warranty and Tamlyn will not be responsible for repair or replacement of any resulting damage due to distortion, warping, buckling, shrinkage, paint blistering, or peeling of paint on the PVC products, or repair or replacement of related siding, soffit, or trim products

Always follow the paint manufacturer's recommendations to apply

Make sure Tamlyn PVC Trim is clean and dry before painting



R.H. TAMLYN & SONS, LP
13623 PIKE ROAD, STAFFORD TX, 77477
TEL: 281-499-9604, FAX: 281-499-8948

Description: **3/4" Weep Strip**

Product ID: **VSZ34**

**DIMENSIONS ARE IN INCHES
UNLESS OTHERWISE SPECIFIED
DO NOT SCALE DRAWING**

Date:
2/5/2013

DWG #:
VSZ34