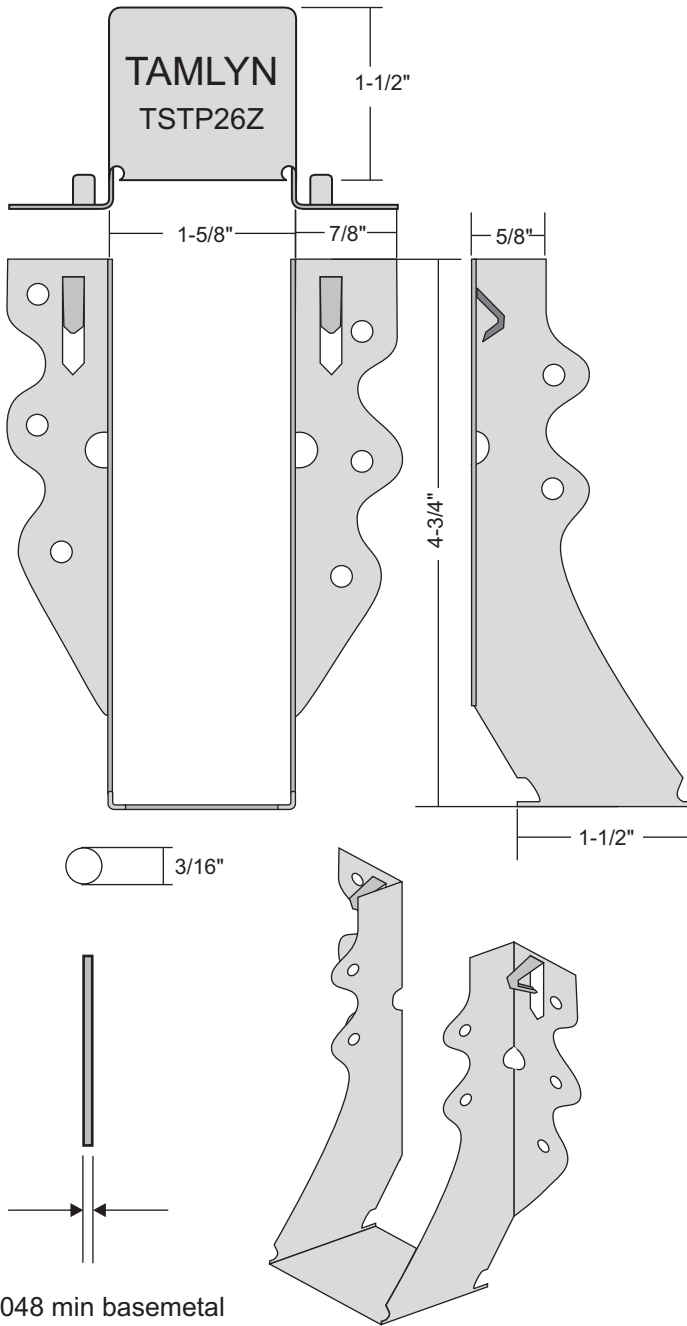


PRODUCT SHEET



MATERIAL: 18 ga. (.048 min basemetal) prime galv clean ASTM A653 G185 FY/FU=33/45 ksi min

NOMINAL THICKNESS*: 0.048"

JOIST SIZE: 2x6, 2x8

SIZE: 1-5/8" W x 4-3/4" H x 1-1/2" Base

DESIGN FEATURES: Tamlyn custom-die designed and manufactured for quick installation and maximum load value.

*The standard thickness tolerance for products made from aluminum sheet material shall be +0.000", -0.003".

TAMLYN
TSTP26Z

1-1/2"

1-5/8"

7/8"

5/8"

4-3/4"

1-1/2"

3/16"

.048 min basemetal



www.tamlyn.com

R.H. TAMLYN & SONS, LP
13623 PIKE ROAD, STAFFORD TX, 77477
TEL: 281-499-9604, FAX: 281-499-8948

Description:

18 Ga. G-185 Galv. 2X6 Single Joist Hanger

Product ID:

TSTP26Z

DIMENSIONS ARE IN INCHES
UNLESS OTHERWISE SPECIFIED
DO NOT SCALE DRAWING

Date:

2/25/09

DWG #:

TSTP26Z