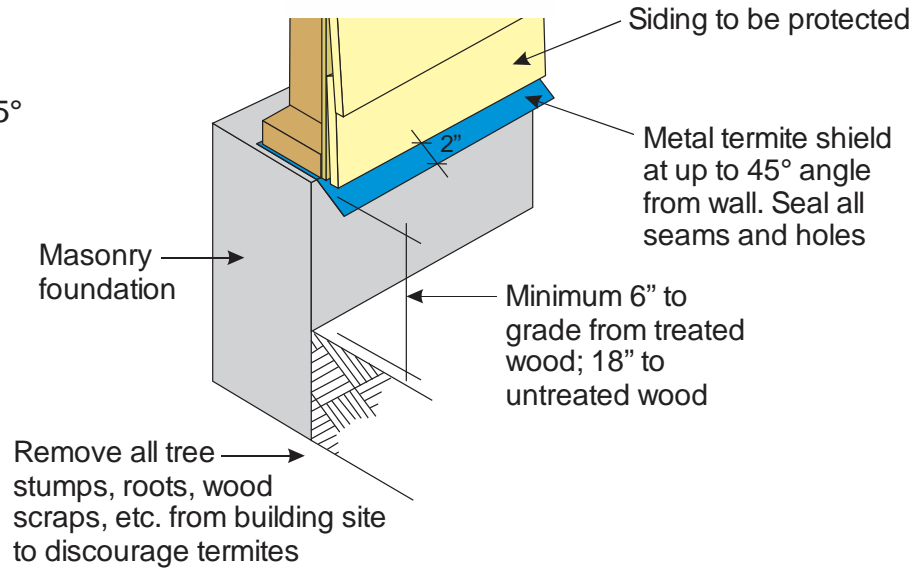
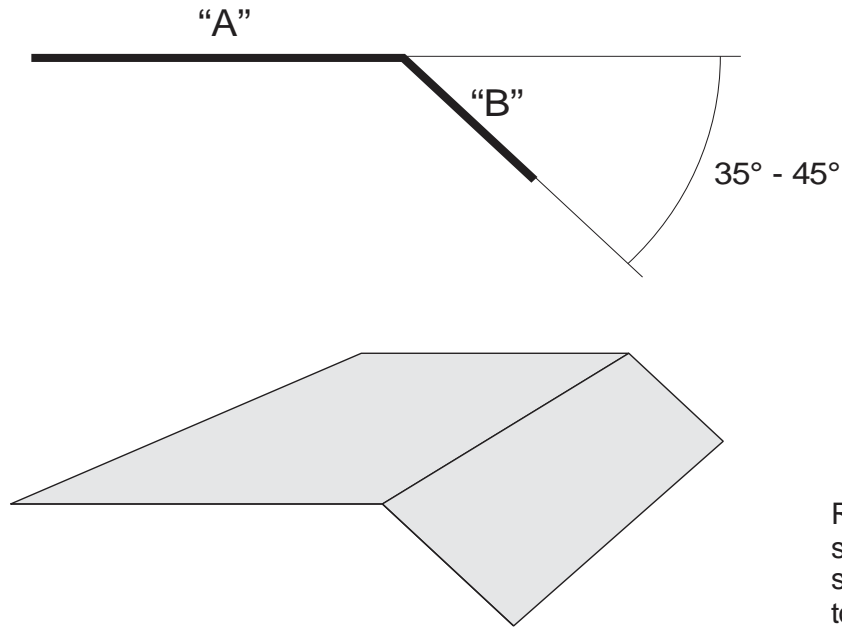



TAMLYN PRODUCT SUBMITTAL



Widely used in the southern states, termite shields do not stop termites, but they can slow down their progress and force them to build their tunnels in the open where they can be easily seen during inspections.

UNLESS OTHERWISE SPECIFIED, STAND FABRICATION TOLERANCES APPLY.				TITLE:		2" X 4" TERMITE SHIELD	
"A" (INCH) :	4	GAUGE:	30 GA	 R.H. TAMLYN & SONS, LP 13623 Pike Road, Stafford, TX 77477 PHONE: 281-499-9604, FAX: 281-499-8948			
"B" (INCH):	2	THICKNESS (INCH):	0.012				
LENGTH (INCH):	120	PERIMETER (INCH):	6				
WEIGHT (LBS):	2.45	MATERIAL:	GALVANIZED	DATE:	01/19/12	PART #	TS2060
PACK SIZE:	25		ASTM A 653 G60	DRAWN BY:	CK	APPROVED BY:	CK