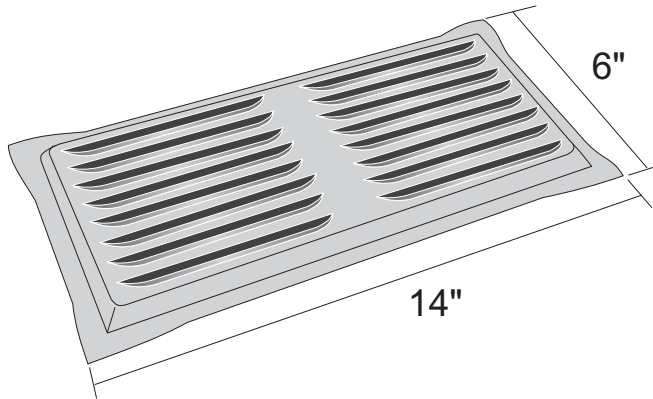


PRODUCT SHEET



MATERIAL: 30 ga. (.012 min decimal*) HDG Galvanized - ASTM A 153 Class B-2.

NET FREE AREA: 54" per piece

SIZE: 6" x 14"

NOMINAL THICKNESS*: 0.012"

SCREEN MATERIAL: Aluminum

DESIGN FEATURES: Provide a method to remove moisture that can lead to damp rot. Stamped model is ideal for use with stucco wall applications.

*The standard thickness tolerance for products made from aluminum sheet material shall be +0.000", -0.003".



www.tamlyn.com

R.H. TAMLYN & SONS, LP
13623 PIKE ROAD, STAFFORD TX, 77477
TEL: 281-499-9604, FAX: 281-499-8948

Description:

14" X 6" Stamped Galv. Vent with Screen, 7/8" Reveal

Product ID:

SFV146S

**DIMENSIONS ARE IN INCHES
UNLESS OTHERWISE SPECIFIED
DO NOT SCALE DRAWING**

Date:

2/25/09

DWG #:

SFV146S