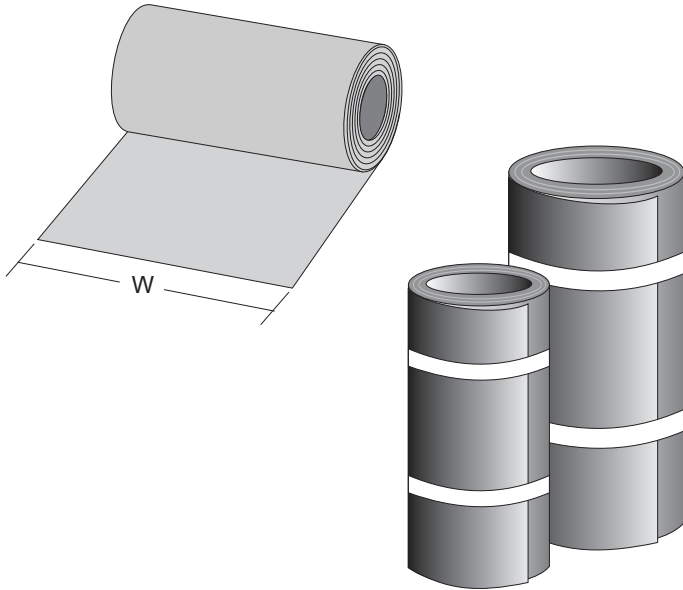


# PRODUCT SHEET



## MATERIAL:

**Econo** - 32 ga. (.010 min decimal\*) HDG Galvanized - ASTM A 153 Class B-2.

**Standard** - 30 ga. (.012 min decimal\*) HDG Galvanized - ASTM A 153 Class B-2.

**Heavy** - 26ga. (.018 min decimal\*) HDG Galvanized - ASTM A 153 Class B-2.

**LENGTH:** 10', 25' and 50'

**WIDTH:** 4", 6", 8", 10", 12", 14", 16", 18", 20", 24", 30" and 36"

**DESIGN FEATURES:** Used primarily to provide improved water shed in valleys formed at roof junctions. May also be used at many other places on roofs. Additional uses include jobsite forming of special trim items.

\*The standard thickness tolerance for products made from aluminum sheet material shall be +0.000", -0.003".



[www.tamlyn.com](http://www.tamlyn.com)

R.H. TAMLYN & SONS, LP  
13623 PIKE ROAD, STAFFORD TX, 77477  
TEL: 281-499-9604, FAX: 281-499-8948

Description:

**Galvanized Roll Valley Flashing**

Product ID: **RF**

**DIMENSIONS ARE IN INCHES  
UNLESS OTHERWISE SPECIFIED  
DO NOT SCALE DRAWING**

Date:

**4/13/12**

DWG #:

**RF**