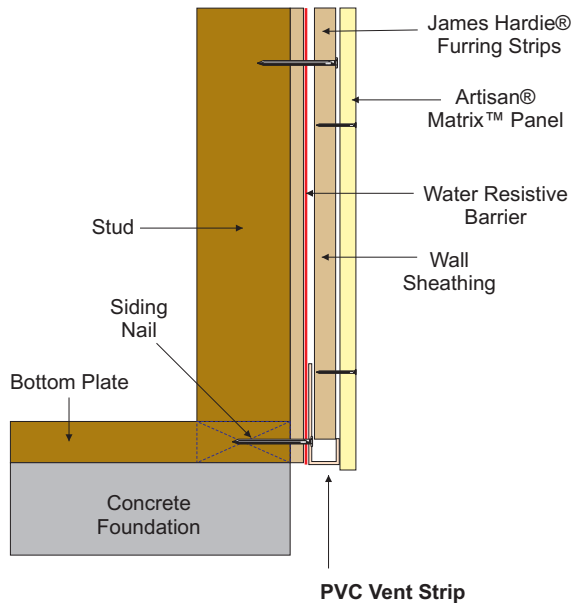
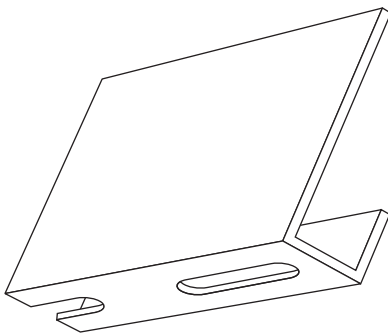
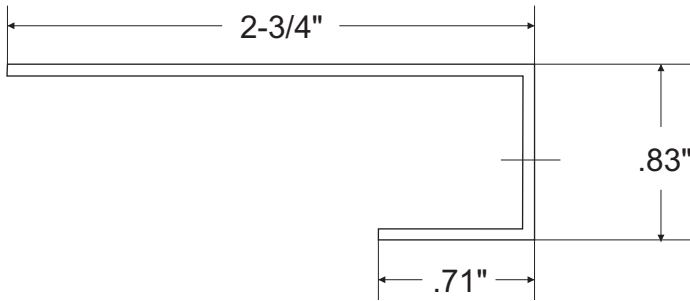


PRODUCT SHEET



MATERIAL:

Extruded Rigid PVC - Polyvinyl Chloride compound, chloroethylene homopolymer compound

LENGTH: 8' and 10'

NOMINAL THICKNESS*: 0.030"

FINISH: White

PACK: 18 pcs per carton

WEIGHT: 8' - 1.06 lbs/each
10' - 1.67 lbs/each

DESIGN FEATURES: Designed to be installed at the base of Artisan® Matrix™ Panel made by James Hardie. The vents allow any moisture build up behind the siding panels to weep out while preventing pests from entering. The venting also provides cavity ventilation which assists in drying cavity moisture and also helps increase energy efficiency due to the separation between outside heat and interior walls.

*The standard thickness tolerance for products made from aluminum sheet material shall be +0.000", -0.003".



R.H. TAMLYN & SONS, LP
13623 PIKE ROAD, STAFFORD TX, 77477
TEL: 281-499-9604, FAX: 281-499-8948

Description: **PVC Vent Strips**

Product ID: **VS8, VS10**

DIMENSIONS ARE IN INCHES
UNLESS OTHERWISE SPECIFIED
DO NOT SCALE DRAWING

Date:
12/07/10

DWG #:
VS