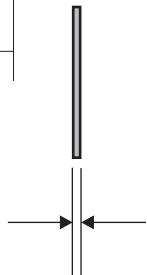
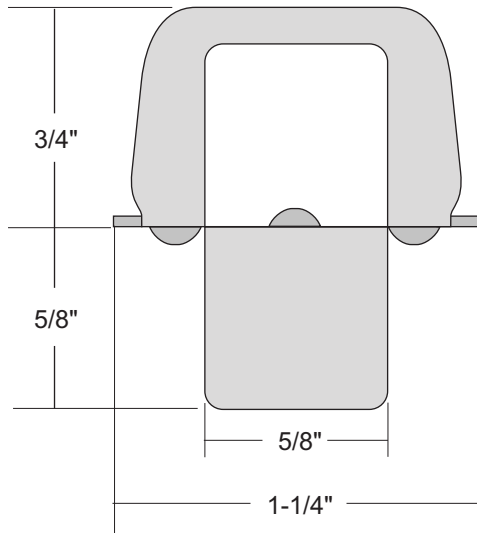
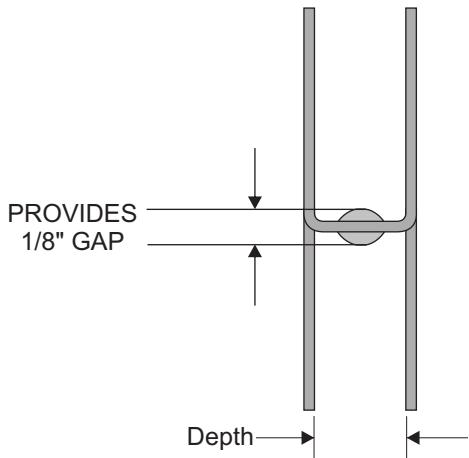


PRODUCT SHEET



.036 min decimal

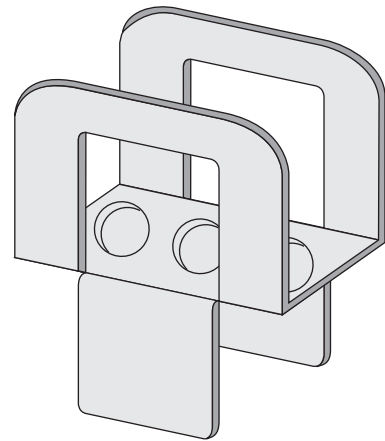
MATERIAL: 20 ga. (.039 min decimal) HDG Galvanized - ASTM A 153 Class B-2.

NOMINAL THICKNESS*: 0.036"

DEPTH: 7/16", 15/32", 1/2", 5/8", 19/32", 3/4"

DESIGN FEATURES: For quick, easy installation between roof sheathing panels (plywood or OSB), provide structural support to stiffen roof deck and reduce deflection between panels. Embossed dimples/built-in spacer type feature provide APA recommended 1/8" gap.

*The standard thickness tolerance for products made from aluminum sheet material shall be +0.000", -0.003".



www.tamlyn.com

R.H. TAMLYN & SONS, LP
13623 PIKE ROAD, STAFFORD TX, 77477
TEL: 281-499-9604, FAX: 281-499-8948

Description:

20 Ga. Galv. Steel Plywood Clip

Product ID:

PCS

DIMENSIONS ARE IN INCHES
UNLESS OTHERWISE SPECIFIED
DO NOT SCALE DRAWING

Date:

2/25/09

DWG #:

PCS