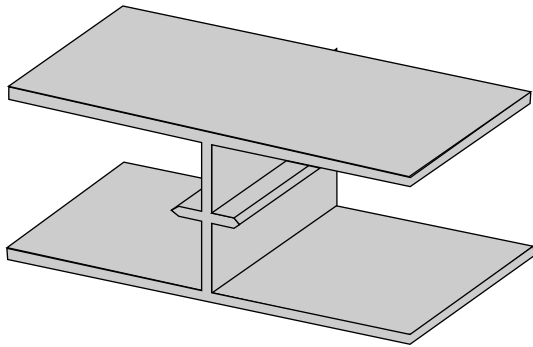
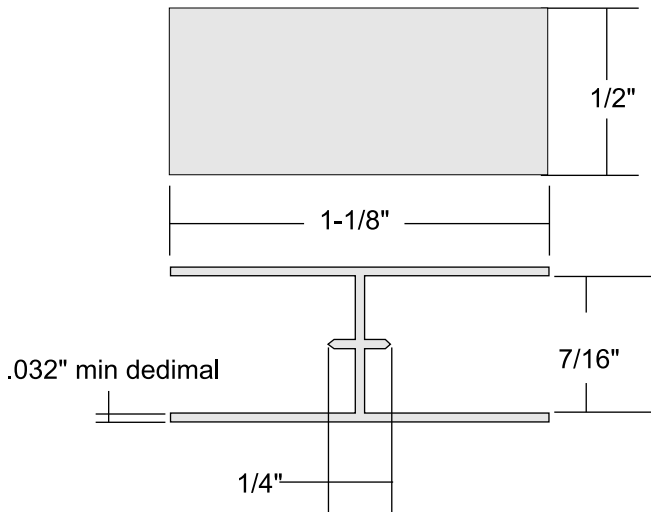


PRODUCT SHEET

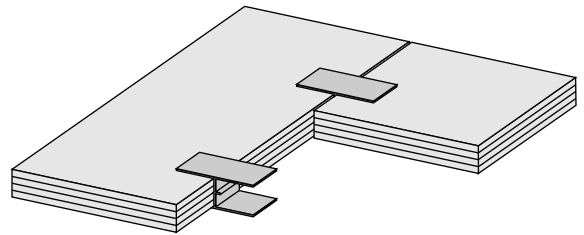


MATERIAL: Extruded mill aluminum 6063 T-6 alloy

NOMINAL THICKNESS*: 0.032"

DESIGN FEATURES: For quick, easy installation between roof sheathing panels (plywood or OSB), provide structural support to stiffen roof deck and reduce deflection between panels. Built-in spacer type feature provide APA recommended 1/8" gap.

*The standard thickness tolerance for products made from aluminum sheet material shall be +0.000", -0.003".



www.tamlyn.com

R.H. TAMLYN & SONS, LP
13623 PIKE ROAD, STAFFORD TX, 77477
TEL: 281-499-9604, FAX: 281-499-8948

Description:

Aluminum Plywood Clip

Product ID:

PC716

**DIMENSIONS ARE IN INCHES
UNLESS OTHERWISE SPECIFIED
DO NOT SCALE DRAWING**

Date:

2/10/10

DWG #:

PC716