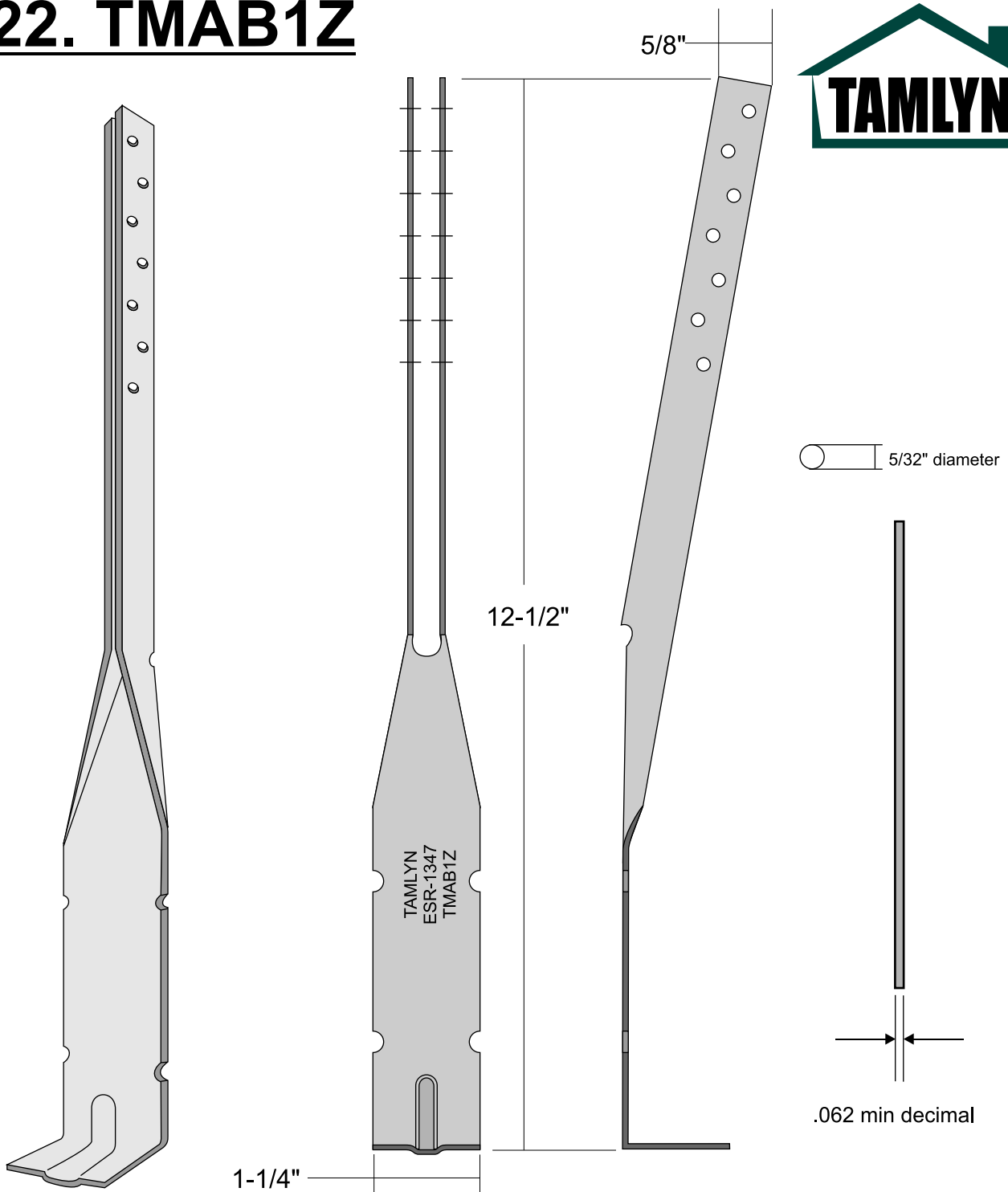
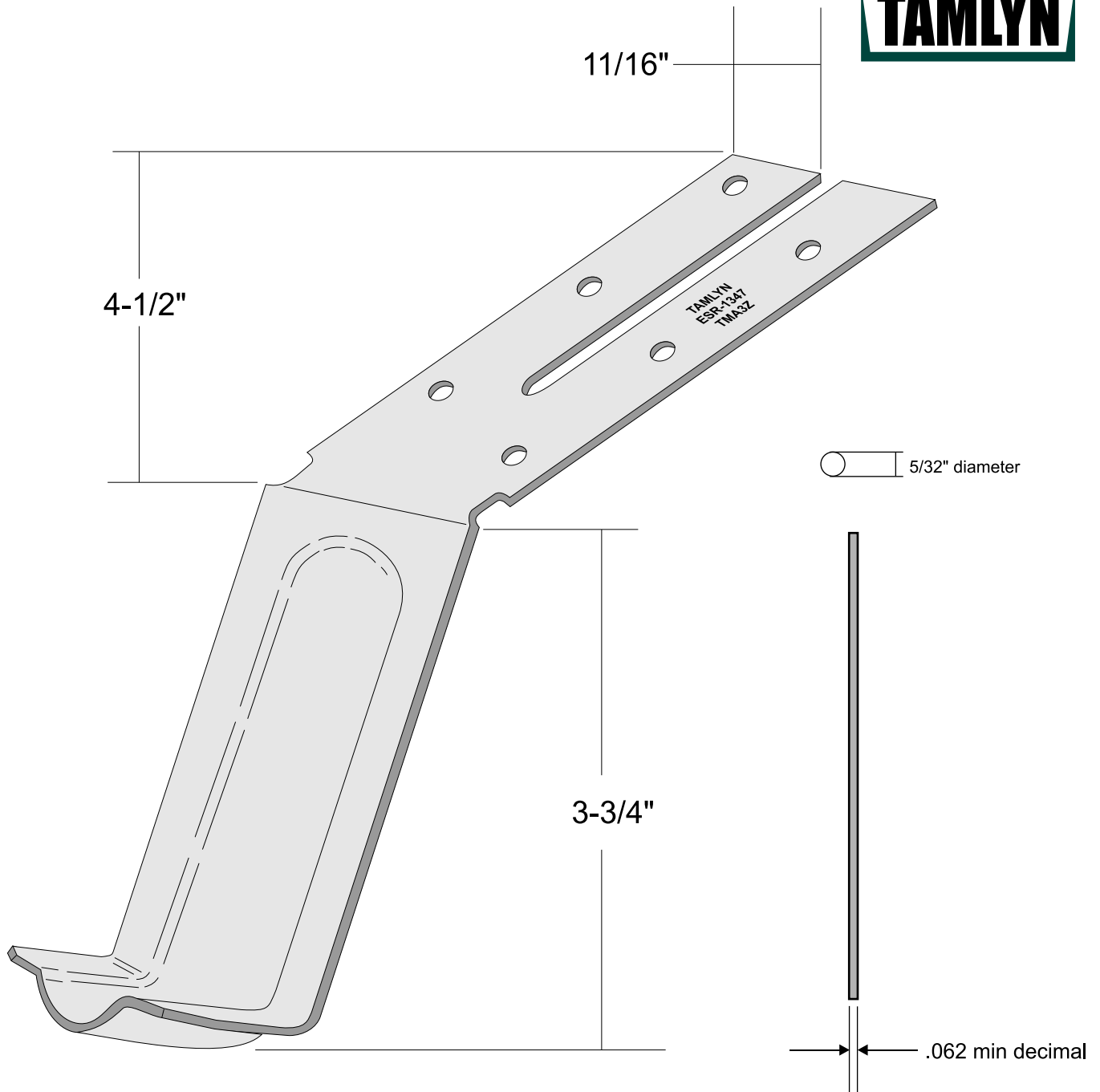


C22. TMAB1Z



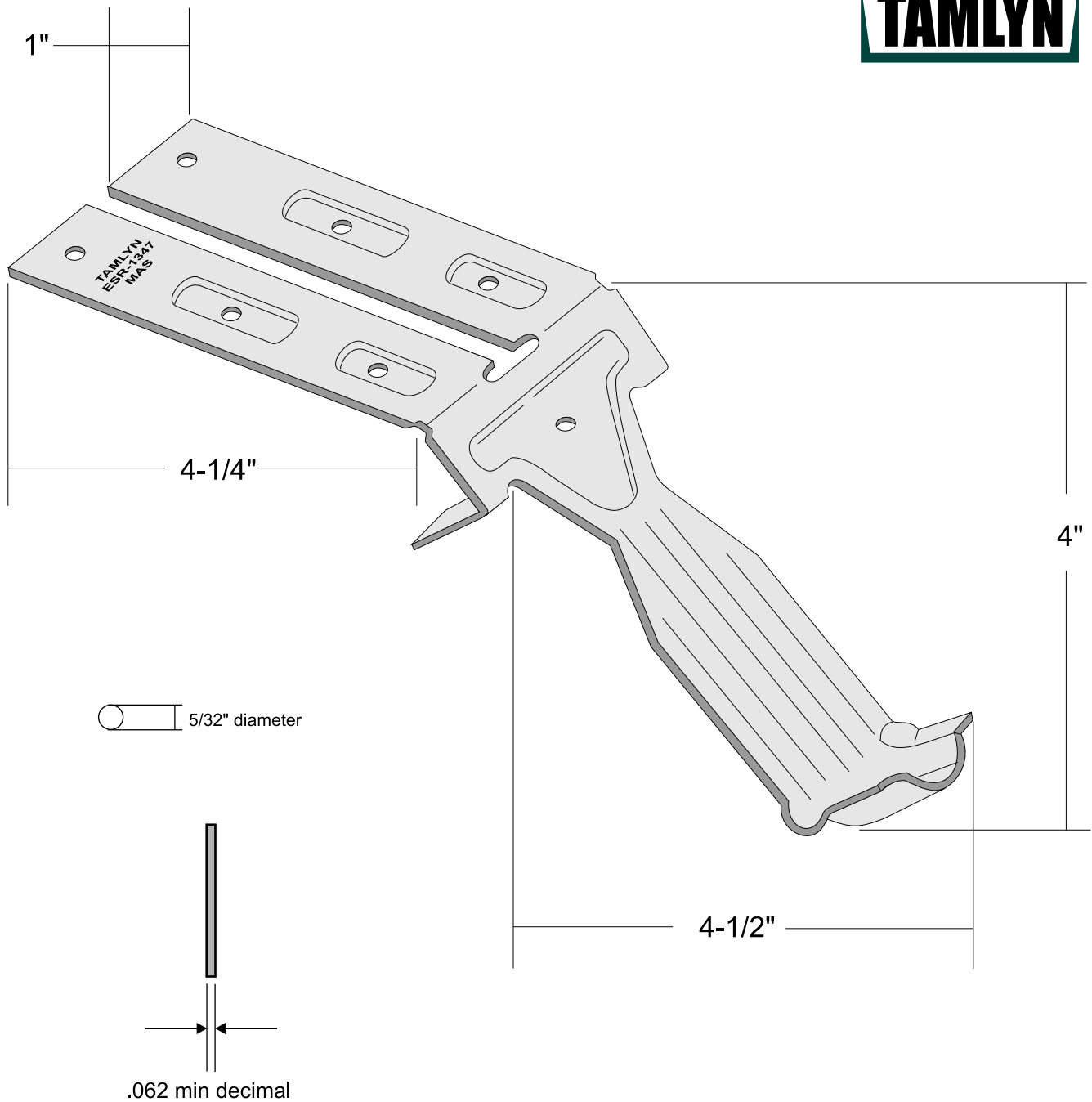
PRODUCT ID : TMAB1Z - MUDSILL ANCHOR		WEIGHT (LBS) : 0.30000	
DIMENSION : 1-1/4" W x 12-1/2" L x 5/32" diameter (7) holes			
MATERIAL : 18 ga. (.049 min decimal) x 14" prime galv clean ASTM A653 G185 Gr 33min 33000 yield			
NAILS : 7	BOX # : RHT-9/10	QTY./BOX : 50	BOX WT. (LBS) : 15.00
CARTON UPC# 63225980131-4		PRODUCT UPC# 63225950137-5	

C24. TMA3Z



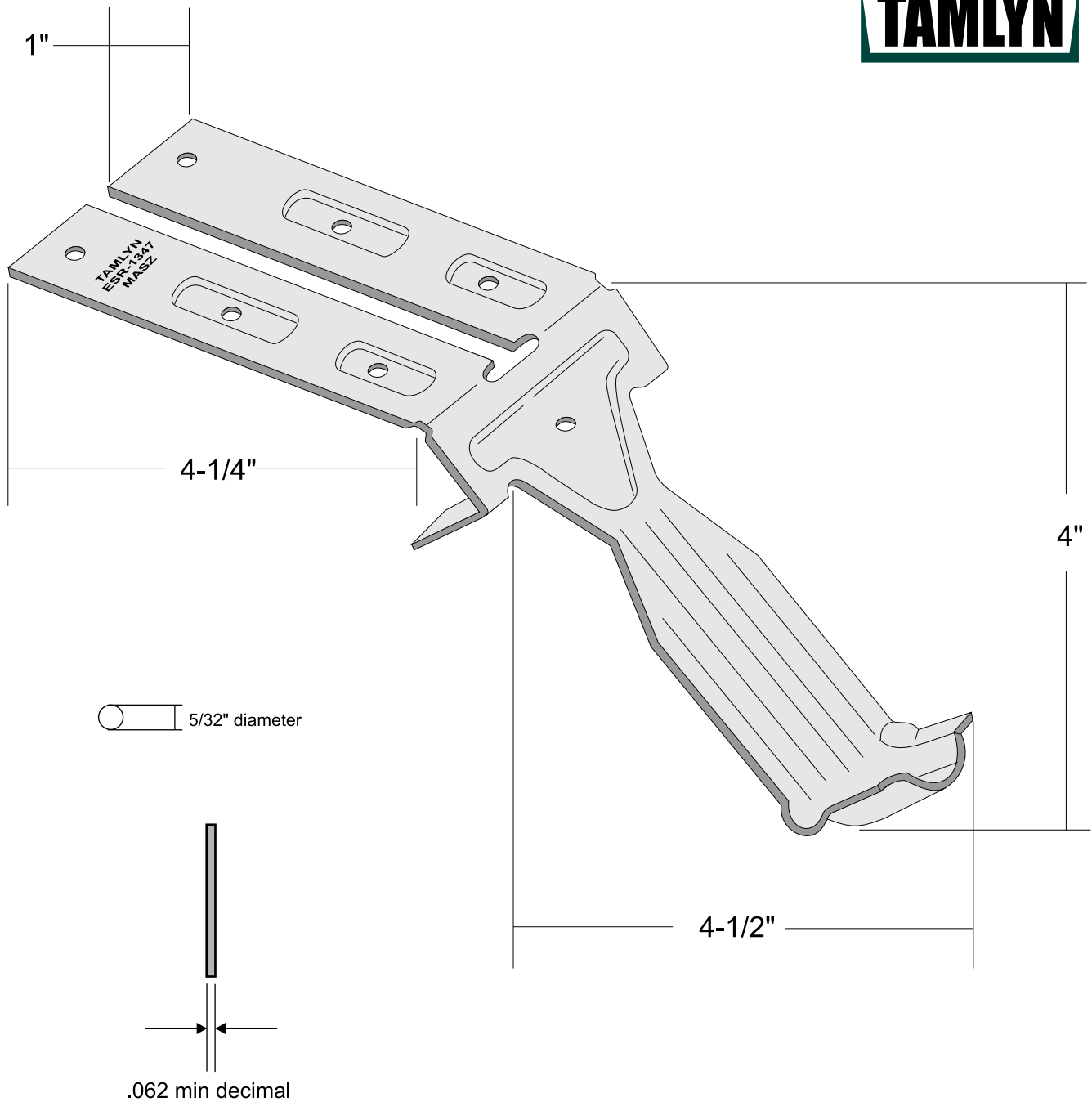
PRODUCT ID : TMA3Z - MUDDSILL ANCHOR		WEIGHT (LBS) : 0.28000	
DIMENSION : 4-1/2" x 3-3/4" x 11/16" x 5/32" diameter (6) holes			
MATERIAL : 16 ga. (.062 min decimal) x 11" prime galv clean ASTM A653 G185 Gr 33min 33000 yield			
NAILS: 6	BOX #: RHT-23	QTY./BOX: 50	BOX WT. (LBS): 14.00
CARTON UPC# 63225980101-7		PRODUCT UPC# 63225950098-9	

C25. MAS



PRODUCT ID : MAS - MUDSILL ANCHOR		WEIGHT (LBS) : 0.32000	
DIMENSION : 4-1/2" x 4" x 4-1/4" x 1" x 5/32" diameter (7) holes			
MATERIAL : 16 ga. (.062 min decimal) x 11" prime galv clean ASTM A653 G90 Gr 33min 33000 yield			
NAILS : 7	BOX # : RHT-94	QTY./BOX : 50	BOX WT. (LBS) : 16.00
CARTON UPC# 63225990029-1		PRODUCT UPC# 63225950025-5	

C25. MASZ



PRODUCT ID : MASZ - MUDDSILL ANCHOR		WEIGHT (LBS) : 0.32000	
DIMENSION : 4-1/2" x 4" x 4-1/4" x 1" x 5/32" diameter (7) holes			
MATERIAL : 16 ga. (.062 min decimal) x 11" prime galv clean ASTM A653 G185 Gr 33min 33000 yield			
NAILS : 7	BOX # : RHT-94	QTY./BOX : 50	BOX WT. (LBS) : 16.00
CARTON UPC# 63225980105-5		PRODUCT UPC# 63225950062-0	