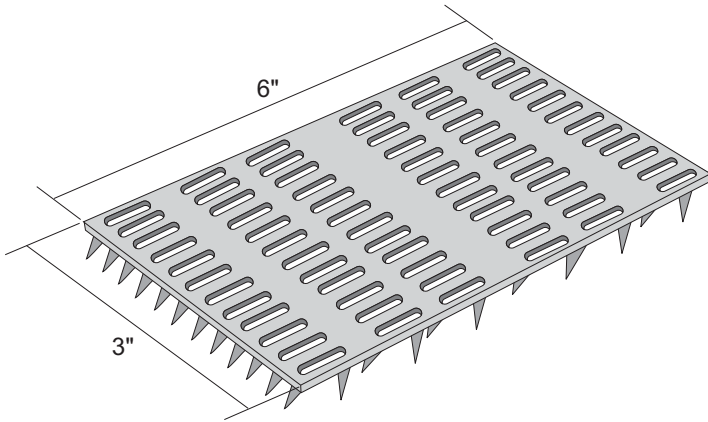


PRODUCT SHEET



MATERIAL: MP36 structural connector plates are produced from 20 gauge galvanized sheet steel. The sheet steel conforms to ASTM A 653, Grade 40 minimum and is galvanized in accordance with ASTM A 924 with a coating designation G60.

SIZE: 3" W x 6" L

NOMINAL THICKNESS*: 0.036"

DESIGN FEATURES: No nails or notching of wood required for installation. Used for non-structural applications only. Do not use for truss applications. Made with 20 gauge galvanized steel for strength and durability. Installs without nails; align wood with arrows at joint and hammer plate to embed prongs.

Products not tested or submitted because they're not load rated and code approval not required.

*The standard thickness tolerance for products made from aluminum sheet material shall be +0.000", -0.003".



www.tamlyn.com

R.H. TAMLYN & SONS, LP
13623 PIKE ROAD, STAFFORD TX, 77477
TEL: 281-499-9604, FAX: 281-499-8948

Description:

20 GA. 3X6 MENDING PLATE

Product ID:

MP36

**DIMENSIONS ARE IN INCHES
UNLESS OTHERWISE SPECIFIED
DO NOT SCALE DRAWING**

Date:

11/9/12

DWG #:

MP36