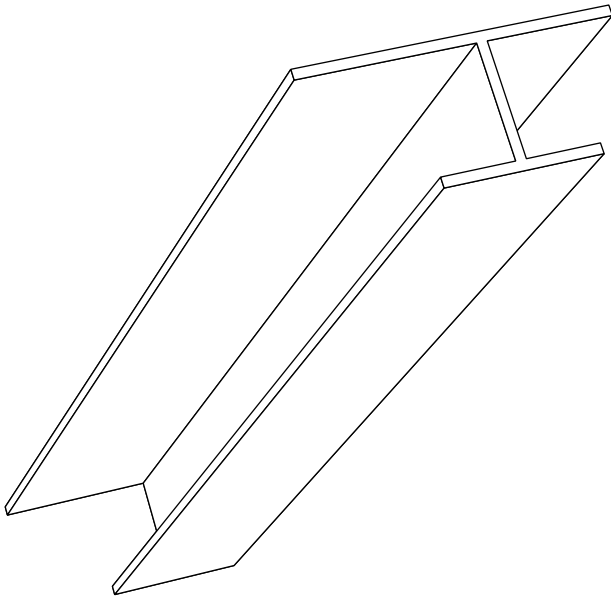
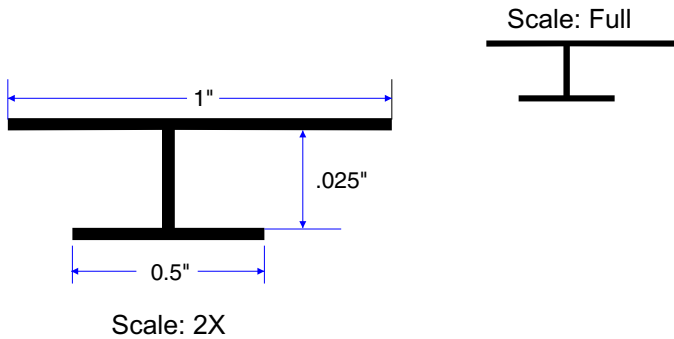


# PRODUCT SHEET



**MATERIAL:** Extruded rigid PVC, industry-standard, durable, chemically resistant product designed for outdoor weatherability.

**LENGTH:** 96" (8')

**NOMINAL THICKNESS\*:** 0.030"

**FINISH:**

- |                         |                           |
|-------------------------|---------------------------|
| JH280 - Arctic White    | JH200 - Black             |
| JH354 - Navajo Beige    | JH355 - Woodland Cream    |
| JH356 - Khaki Brown     | JH357 - Woodstock Brown   |
| JH358 - Cobble Stone    | JH359 - Autumn Tan        |
| JH360 - Sail Cloth      | JH361 - Light Mist        |
| JH362 - Monterey Taupe  | JH363 - Sandstone Beige   |
| JH40-30 - Timber Bark   | JH50-20 - Heathered Moss  |
| JH50-30 - Mountain Sage | JH60-10 - Soft Green      |
| JH70-20 - Boothbay Blue | JH70-30 - Evening Blue    |
| JH80-20 - Tuscan Gold   | JH90-20 - Countrylane Red |
| JH90-30 - Iron Gray     |                           |

**PACK:** 50 pcs per carton

**WEIGHT:** 0.40 lbs/each, 20 lbs/carton

**DESIGN FEATURES:** Designed to work as a system with Tamlyn vinyl continuous soffit vents (system use patent protected). Covers the end seams of the soffit material and continuous vents, providing a more appealing appearance than simply butting the vents end to end.

\*The standard thickness tolerance for products made from aluminum sheet material shall be +0.000", -0.003".



www.tamlyn.com

R.H. TAMLYN & SONS, LP  
13623 PIKE ROAD, STAFFORD TX, 77477  
TEL: 281-499-9604, FAX: 281-499-8948

Description:

**Snapvent® Continuous Soffit Vent**

Product ID:

**HM148-JH000\***

\*Specify the color number when ordering

**DIMENSIONS ARE IN INCHES  
UNLESS OTHERWISE SPECIFIED  
DO NOT SCALE DRAWING**

Date:

**3/9/2010**

DWG #:

**HM148**