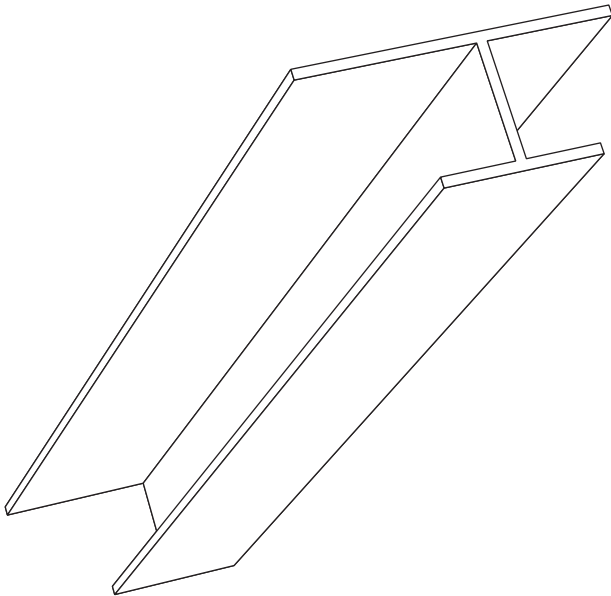
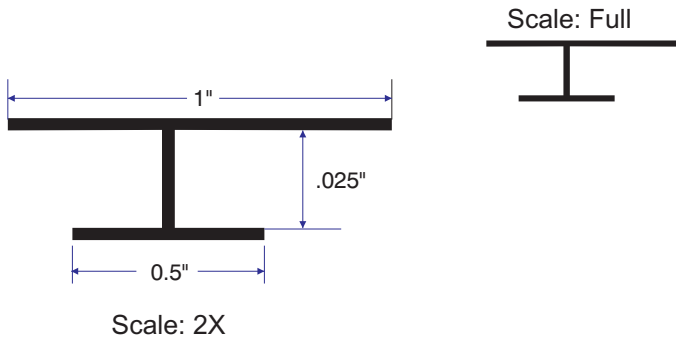


# PRODUCT SHEET



**MATERIAL:** Extruded rigid PVC, industry-standard, durable, chemically resistant product designed for outdoor weatherability.

**LENGTH:** 96" (8')

**NOMINAL THICKNESS\*:** 0.030"

**PACK:** 50 pcs per carton

**WEIGHT:** 0.40 lbs/each, 20 lbs/carton

**DESIGN FEATURES:** Designed to work as a system with Tamlyn vinyl continuous soffit vents (system use patent protected). Covers the end seams of the soffit material and continuous vents, providing a more appealing appearance than simply butting the vents end to end.

\*The standard thickness tolerance for products made from aluminum sheet material shall be +0.000", -0.003".

### PVC Trim Painting Guide

Tamlyn PVC Trim may be painted to achieve a custom color.

Use a light color, 100% acrylic latex paint with a light reflective value (LRV) of 55 or higher (Flat Black=0, pure white=100). Painting PVC trim with dark colors may cause the product to warp

Tamlyn does not recommend painting our PVC products with dark colors unless a good quality heat reflective paint is used such as Sherwin-Williams Vinyl Safe™, and that it is applied according to the paint manufacturer's recommended application instructions

If a dark color (LRV value of 50 or lower/darker) paint is used, excess solar heat may be absorbed, subjecting the PVC to warping and distortion due to extremes of thermal expansion and contraction. This reaction is even more evident when these parts are exposed to direct sunlight in hot climates. Paint adhesion loss, blistering and peeling may also result

Failure to use heat reflective dark color paints on Tamlyn PVC products will void warranty and Tamlyn will not be responsible for repair or replacement of any resulting damage due to distortion, warping, buckling, shrinkage, paint blistering, or peeling of paint on the PVC products, or repair or replacement of related siding, soffit, or trim products

Always follow the paint manufacturer's recommendations to apply

Make sure Tamlyn PVC Trim is clean and dry before painting



www.tamlyn.com

R.H. TAMLYN & SONS, LP  
13623 PIKE ROAD, STAFFORD TX, 77477  
TEL: 281-499-9604, FAX: 281-499-8948

Description:

**PVC Soffit H-Mold**

Product ID:

**HM148-50**

\*Specify the color number when ordering

**DIMENSIONS ARE IN INCHES  
UNLESS OTHERWISE SPECIFIED  
DO NOT SCALE DRAWING**

Date:

**3/9/2010**

DWG #:

**HM148**