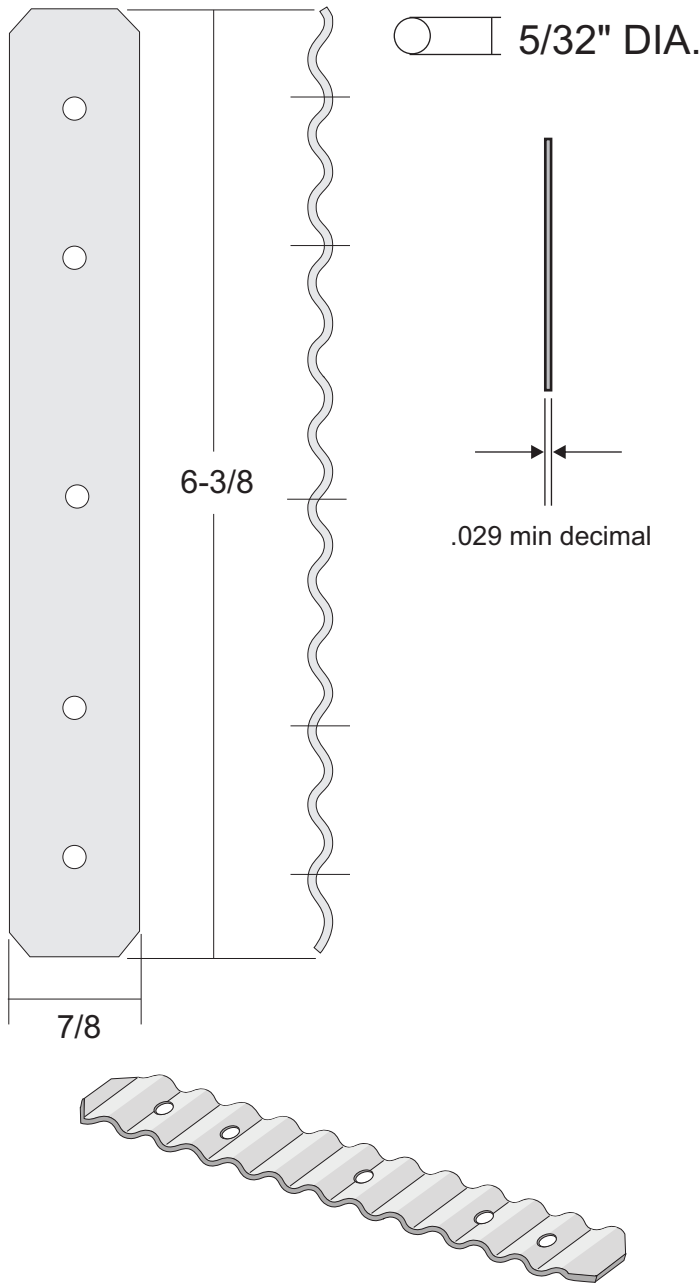


# PRODUCT SHEET



**MATERIAL:** 22 ga. (.029 min decimal) HDG Galvanized - ASTM A 153 Class B-2. **Hot dipped galvanized after fabrication (in accordance with ASTM A153 B3)**  
 Also available in stainless steel (type 3042B) for optimal corrosion resistance. Stainless steel is absolutely best material for longevity. Field studies show regular galvanized wall ties can deteriorate and fail within 10 years. Be certain compatible fasteners are used (e.g., stainless steel nails with stainless steel wall ties). Painted steel over galvanized is acceptable and actually superior.

**SIZE:** .875" W x 6.375" H x (5) 5/32" Round Holes

**NOMINAL THICKNESS\*:** 0.029"

**DESIGN FEATURES:** Ties masonry to wall studs.

\*The standard thickness tolerance for products made from aluminum sheet material shall be +0.000", -0.003".



www.tamlyn.com

R.H. TAMLYN & SONS, LP  
 13623 PIKE ROAD, STAFFORD TX, 77477  
 TEL: 281-499-9604, FAX: 281-499-8948

Description:

**22 Ga. Hot Dipped Corrugated Straight Wall Tie**

Product ID:

**BT22HDG**

DIMENSIONS ARE IN INCHES  
 UNLESS OTHERWISE SPECIFIED  
 DO NOT SCALE DRAWING

Date:

**2/25/09**

DWG #:

**BT22HDG**