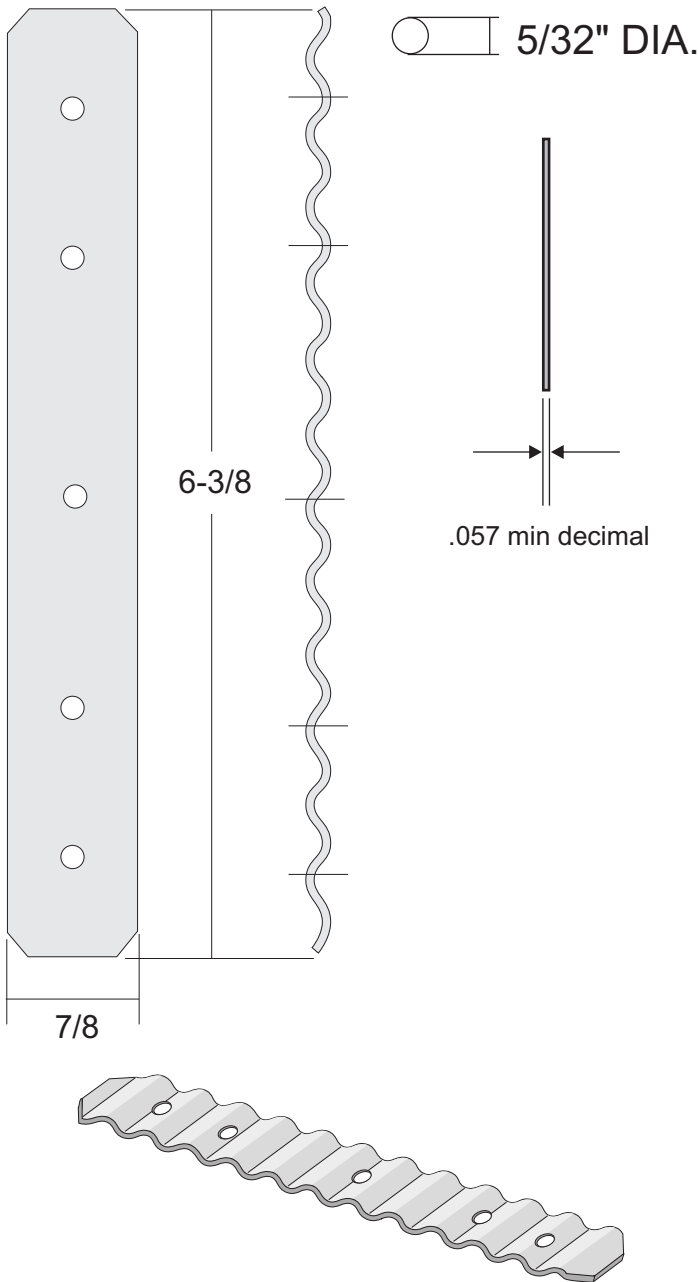


PRODUCT SHEET



MATERIAL: 16 ga. (.057 min decimal) HDG Galvanized - ASTM A 153 Class B-2. Also available in hot dip galvanized after fabrication (in accordance with ASTM A153 B3) and stainless steel (type 3042B) for optimal corrosion resistance. Stainless steel is absolutely best material for longevity. Field studies show regular galvanized wall ties can deteriorate and fail within 10 years. Be certain compatible fasteners are used (e.g., stainless steel nails with stainless steel wall ties). Painted steel over galvanized is acceptable and actually superior.

SIZE: .875" W x 6.375" H x (5) 5/32" Round Holes

NOMINAL THICKNESS*: 0.057"

DESIGN FEATURES: Ties masonry to wall studs.

*The standard thickness tolerance for products made from aluminum sheet material shall be +0.000", -0.003".



R.H. TAMLYN & SONS, LP
13623 PIKE ROAD, STAFFORD TX, 77477
TEL: 281-499-9604, FAX: 281-499-8948

Description:

16 Ga. Galv. Corrugated Straight Wall Tie

Product ID:

BT16SP

DIMENSIONS ARE IN INCHES
UNLESS OTHERWISE SPECIFIED
DO NOT SCALE DRAWING

Date:

2/25/09

DWG #:

BT16SP