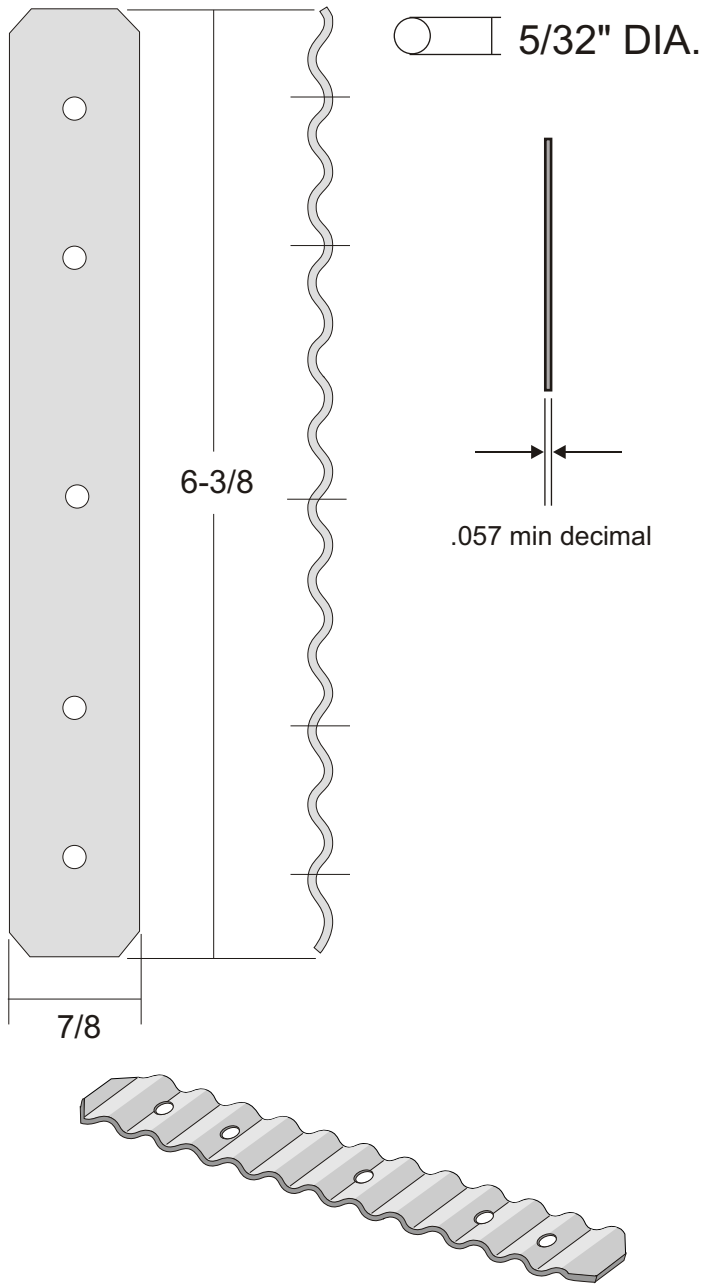


PRODUCT SHEET



MATERIAL: 16 ga. (.057 min decimal) HDG Galvanized - ASTM A 153 Class B-2. Hot dipped galvanized after fabrication (in accordance with ASTM A153 B3) and stainless steel (type 3042B) for optimal corrosion resistance.

SIZE: .875" W x 6.375" H x (5) 5/32" Round Holes

NOMINAL THICKNESS*: 0.057"

DESIGN FEATURES: Ties masonry to wall studs.

*The standard thickness tolerance for products made from aluminum sheet material shall be +0.000", -0.003".



www.tamlyn.com

R.H. TAMLYN & SONS, LP
13623 PIKE ROAD, STAFFORD TX, 77477
TEL: 281-499-9604, FAX: 281-499-8948

Description:

16 Ga. Hot Dipped Corrugated Straight Wall Tie

Product ID:

BT16HDG

DIMENSIONS ARE IN INCHES
UNLESS OTHERWISE SPECIFIED
DO NOT SCALE DRAWING

Date:

2/25/09

DWG #:

BT16HDG