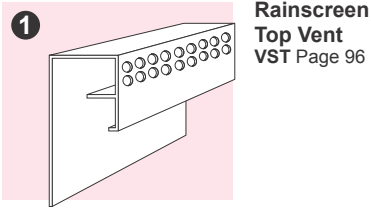
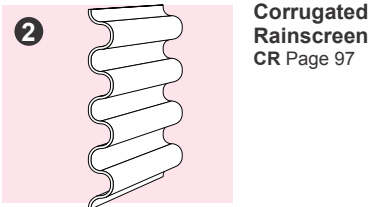


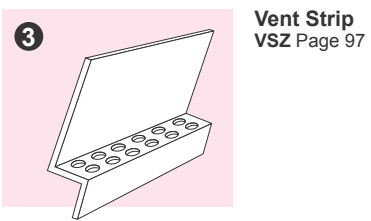
# Vented Rainscreen System



**1**  
Rainscreen Top Vent  
VST Page 96

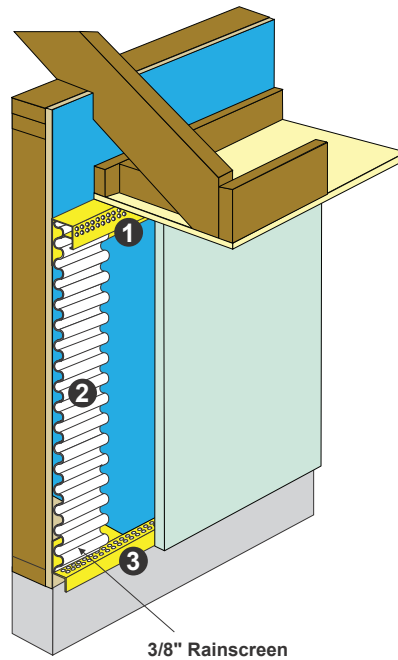


**2**  
Corrugated Rainscreen  
CR Page 97

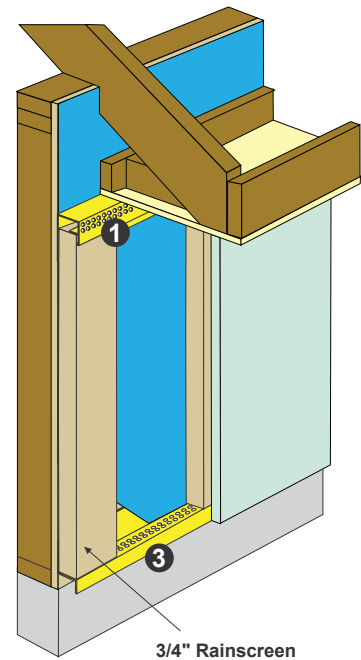


**3**  
Vent Strip  
VSZ Page 97

When rainfall or design dictate that a rainscreen be incorporated in the building design instead of a drainable housewrap, Tamlyn has created a solution in our Vented Rainscreen System. Comprised of the VSZ (Vent Strip), CR (Corrugated Rainscreen), and VST; this system provides a cavity space with both vertical and cross ventilation which will enable drying and liquid water removal.

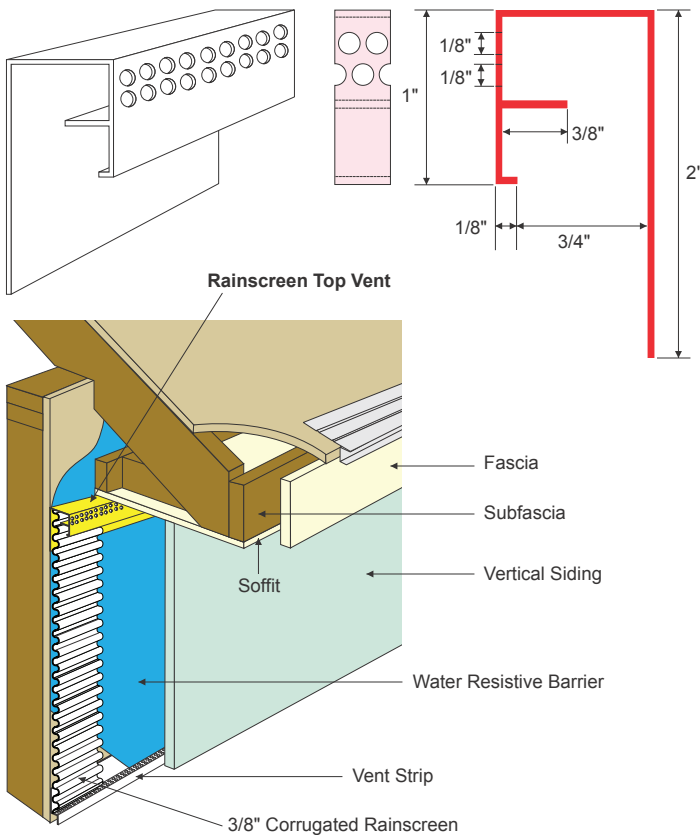


3/8" Rainscreen



3/4" Rainscreen

## Rainscreen Top Vent



### DESIGN FEATURES

A top vent for a rainscreen which when combined with VSZ creates a vented rainscreen. Designed to fit 3/8" to 3/4".

### MATERIAL

Paintable white extruded rigid PVC, industry-standard, durable, chemically resistant product designed for outdoor weatherability.

**WARNING:** Use light or pastel paint colors only on Tamlyn PVC or Sherwin-Williams Vinyl Safe™ Paint. Use of dark color paint will cause deformation. Tamlyn vinyl products are not warranted if painted with dark color paint.

ITEM ID	RAINSCREEN SIZE	LENGTH
VST38	3/8"	8'

