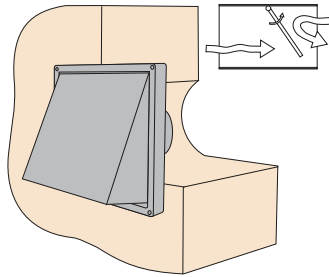
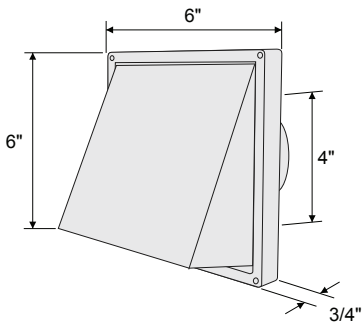


# Stainless Steel Vents

**SUA-100 (Hooded Vent)**



**DESIGN FEATURES**

Though Wall or Soffit Vents designed to last as long as the building. Made from premium quality stainless with all stainless mount screws and all with sealing gaskets. Packed in individual blister packs and retail merchandiser boxes.

**MATERIAL**

304 Grade Stainless Steel, Satin Finish, Stainless Mounting Screws, Ember Proof Mesh, Sealing Gaskets.

**INSTALLATION GUIDE**

Vent is supplied with mounting screws and includes mounting gasket where needed. If additional sealant is desired, use a superior quality exterior approved product. Mount using screws provided to wood, cement siding, or other surfaces. In brick or masonry walls it will be necessary to pre-drill for the screws.

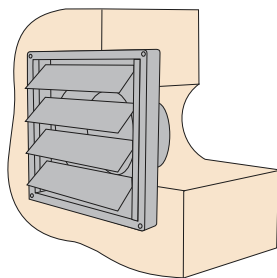
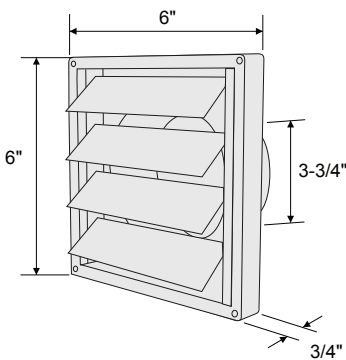
Always remember to inspect and remove any accumulated debris/lint at regular periods, but not less than twice a year.

If vent is supplied with strippable film covering, remove film after final painting of surrounding surface and before use of appliance being vented.

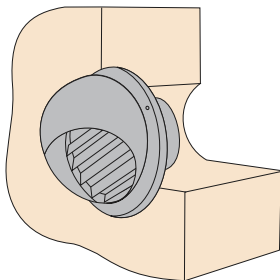
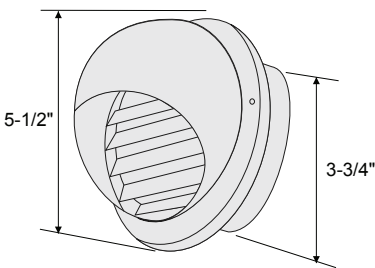
**NOTE**

Other pipe sizes are available for order. Galvanized primed steel vents are available for order.

**SUM-100 (Louver Vent)**



**SUS-100 (Dome Vent)**



ITEM ID	PIPE SIZE	NFA*	RETAIL PACK	QTY
SUA-100	4"	11	SUA-100R	6
SUS-100	4"	7.44	SUS-100R	6
SUM-100	4"	10.84	SUM-100R	12
SUB-100	4"	4.95	SUB-100R	12

\*NFA = net free area / sq.in. per lineal ft.

**SUB-100 (Eave Cone Vent)**

