

Aluminum Louvered Continuous Soffit Vent

DESIGN FEATURES

Provides a continuous under soffit air flow to provide superior ventilation

MATERIAL

3105-type aluminum sheet with a minimum tensile strength of 29,000 psi, or equivalent, as referenced in AAMA 1482-86 (paragraph 3.2.3). The metal shall be treated on both sides with a non-chromate chemical conversion coating to ensure excellent paint adhesion and resistance to corrosion.

FINISH

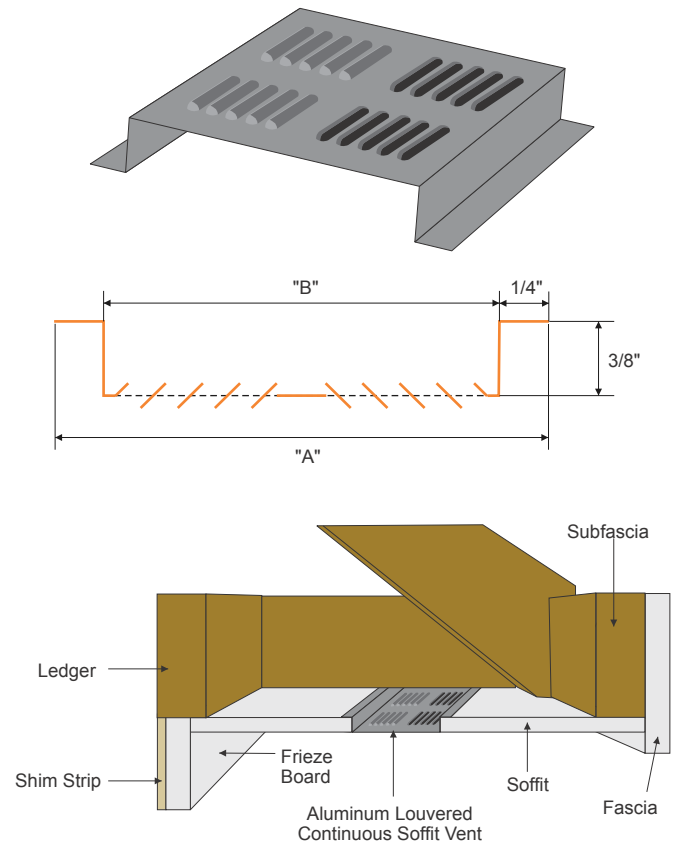
Available in mill finish, white or brown.

APPLICATION CONSIDERATIONS

Direct contact of aluminum product(s) with certain dissimilar materials or contact with the water run-off from such materials is likely to result in corrosion, which is not covered by the product warranty. Therefore, care should be exercised to avoid contact of aluminum with any corrosive materials during installation including, but not limited to: pretreated lumber, concrete, masonry cement, stucco, salt, corrosive chemicals, dissimilar metals (copper, zinc, steel, etc.).

ITEM ID	"A"	"B"	FINISH	LENGTH	NFA*
CUV8A50	2-1/2"	2"	MILL	8'	9
CUV8A50W	2-1/2"	2"	WHITE	8'	9
CUV8A50B	2-1/2"	2"	BROWN	8'	9

*NFA = net free area / sq.in. per lineal ft.



Aluminum Perforated Continuous Soffit Vent

DESIGN FEATURES

Provides a continuous under soffit air flow to provide superior ventilation

MATERIAL

3105-type aluminum sheet with a minimum tensile strength of 29,000 psi, or equivalent, as referenced in AAMA 1482-86 (paragraph 3.2.3). The metal shall be treated on both sides with a non-chromate chemical conversion coating to ensure excellent paint adhesion and resistance to corrosion.

FINISH

Available in mill finish or white.

APPLICATION CONSIDERATIONS

Direct contact of aluminum product(s) with certain dissimilar materials or contact with the water run-off from such materials is likely to result in corrosion, which is not covered by the product warranty. Therefore, care should be exercised to avoid contact of aluminum with any corrosive materials during installation including, but not limited to: pretreated lumber, concrete, masonry cement, stucco, salt, corrosive chemicals, dissimilar metals (copper, zinc, steel, etc.).

ITEM ID	"A"	"B"	FINISH	LENGTH	NFA*
CUV8AP50	2-1/2"	2"	MILL	8'	9
CUV8AP50W	2-1/2"	2"	WHITE	8'	9

*NFA = net free area / sq.in. per lineal ft.

