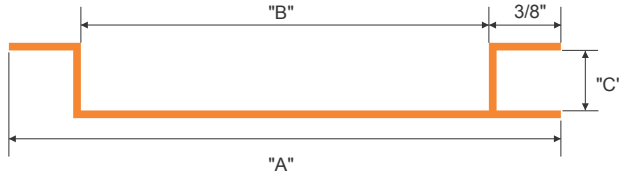
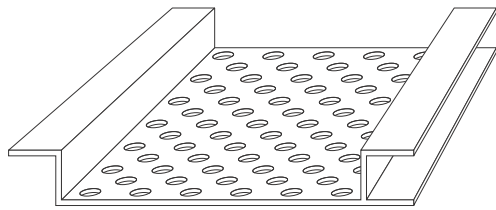


Ezvent® Continuous Soffit Vent



2" EZVENT®
US Patents #5,881,502 / #5,937,592

ITEM ID	"A"	"B"	"C"	LENGTH	NFA*
EZV148	2-7/8"	2-1/8"	1/4"	8'	9
EZV5168	2-7/8"	2-1/8"	5/16"	8'	9

4" EZVENT®
US Patents #5,881,502 / #5,937,592

ITEM ID	"A"	"B"	"C"	LENGTH	NFA*
EZV144	5"	4-1/4"	1/4"	8'	18.8
EZV51648	5"	4-1/4"	5/16"	8'	18.8

*NFA = net free area / sq.in. per lineal ft.

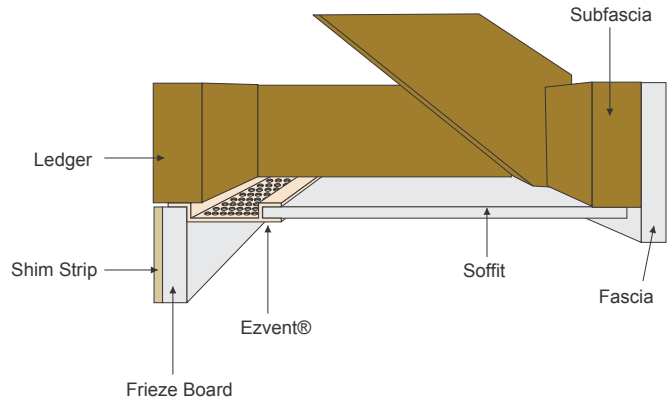
DESIGN FEATURES

The other best looking, most "framer-friendly", easy to install, effective continuous soffit vent on the market. Unique double leg channel on one side hide edges of soffit material for clean look and help prevent vent from being pulled up into subfascia.

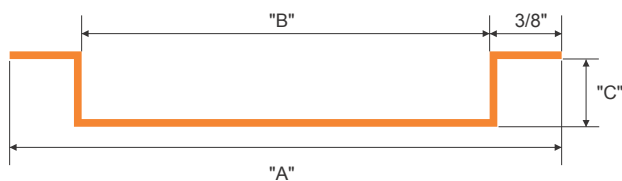
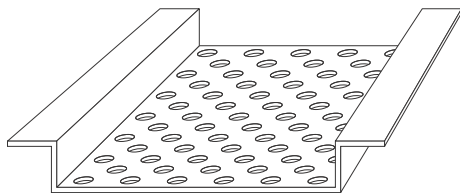
4" Ezvent® - 1/4" and 5/16" Ezvent® with 18.8 sq.in/foot air flow delivers almost 4x the air flow of the typical 5.0 sq.in vented soffit panel in less space while not allowing bees to enter.

MATERIAL

Paintable white extruded rigid PVC, industry-standard, durable, chemically resistant product designed for outdoor weatherability.



Hat Shaped Continuous Soffit Vent / Connector Clip



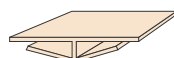
HAT SHAPED VENT

ITEM ID	"A"	"B"	"C"	LENGTH	NFA*
CUV8V	2-7/8"	2-1/8"	3/8"	8'	9
CUV8VW	3-3/4"	3"	3/8"	8'	12.7
CUV8V4	5"	4-1/4"	3/8"	8'	18.8

*NFA = net free area / sq.in. per lineal ft.

CONNECTOR CLIP

ITEM ID	LENGTH
CONNCLIP	1-13/16"
CONNCLIP265	2-5/8"
CONNCLIP4	4"



DESIGN FEATURES

Tamlyn vinyl hat-shaped vents are available in 2", 3" and 4" widths to handle nearly any soffit ventilation needs. Large perforated holes provide excellent intake airflow but inhibit pest entry. Use Connector Clip or Vinyl H Mold to join seams.

4" Hat Shaped Vent - 4" Hat Shaped Vent with 18.8 sq.in/foot air flow delivers almost 4x the air flow of the typical 5.0 sq.in vented soffit panel in less space while not allowing bees to enter.

MATERIAL

Paintable white extruded rigid PVC, industry-standard, durable, chemically resistant product designed for outdoor weatherability.

