

WALL BRACING

DESIGN FEATURES:

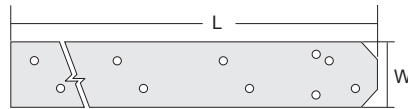
WB Series: We recommend metal bracing only be used to serve as temporary bracing to prevent racking before structural sheathing is applied. Metal bracing should never be used as a substitute for shear wall sheathing, as it offers only about one-tenth the resistance to racking as 3/8" plywood.

WBT Series: T wall brace extra-rigid lengths won't bend as easily as flat brace, making installation easier. No X-pattern installation needed.

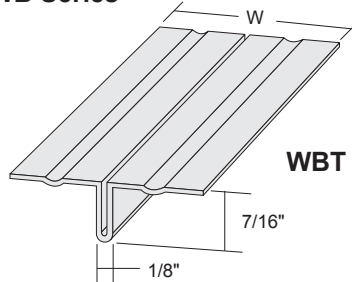
MATERIAL:

WB 16 ga. galvanized steel
WBT 22 ga. galvanized steel

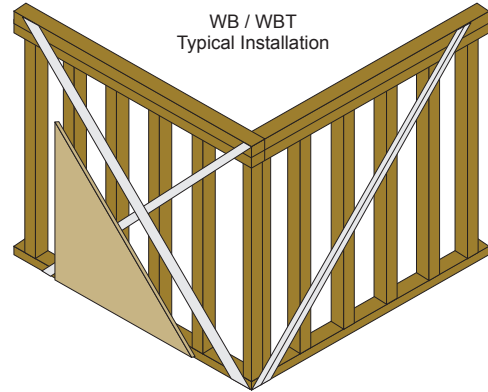
CODES: FL Approval #8283, ICC ESR-1347



WB Series



WBT Series



ITEM ID	REF.	GAUGE	DIMENSIONS		ANGLE AND WALL HEIGHT	NAIL SCHEDULE	
			W (INCHES)	L (FEET)		PLATE	STUD
WB10	WB106	16	1-1/4	9' 6"	60° / 8 FEET	3-10d	1-10d
WB12	WB126	16	1-1/4	11' 5"	45° / 8 FEET	3-10d	1-10d
WB14	WB146	16	1-1/4	13' 6"	45° / 10 FEET	3-10d	1-10d
WB16	--	16	1-1/4	15' 6"	45° / 12 FEET	3-10d	1-10d
WBT10	TWB10	22	2	9' 3"	60° / 8 FEET	4-8d	1-8d
WBT12	TWB12	22	2	11' 4"	45° / 8 FEET	4-8d	1-8d

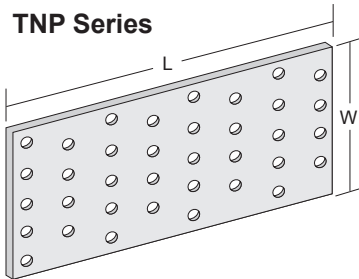
NAIL PLATES

DESIGN FEATURES: Designed to provide positive connections at wall intersections and ridge ties when the top plates are cut .. also used for truss repairs or construction and splice applications on wood-to-wood splices.

MATERIAL: 20 ga. galvanized steel

CODES: FL Approval #8283, ICC ESR-1347

TNP Series



ITEM ID	REF.	DIMENSIONS (IN)		NAIL SCHEDULE
		WIDTH	LENGTH	
TNP35	TP35	3	5	24-8d
TNP37	TP37	3	7	33-8d
TNP39	TP39	3	9	42-8d

MUDSILL ANCHORS

DESIGN FEATURES: Provide for faster, more economical and secure method for anchoring wood framing to masonry or concrete.

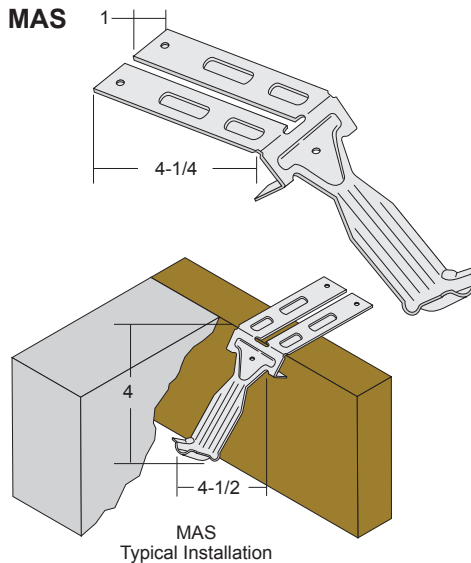
TMAB1 - For installation into concrete slab or poured stemwalls. Features a pre-bent base flange to assure proper anchoring into concrete. When a 2 x 8 mudsill is used for TMAB1 maximum spacing is 3 feet. Loads and installation for TMAB1 assumes nominal 2 x 4 or 2 x 6 mudsill, when used as a direct substitution for 1/2" anchor bolt 6' o.c.

MAS - For installation into concrete slabs. MAS features a split flange for nailing to both mudsill and stud for greater framing versatility. Install before pouring the concrete by nailing to the form or after the pour by inserting the MAS into the concrete. There is fast and simple nail attachment - only six code-spaced nails are needed to drive either to the mudsill or directly to the stud.

MATERIALS: MAS 16ga. galvanized steel, TMAB 18ga. galvanized steel

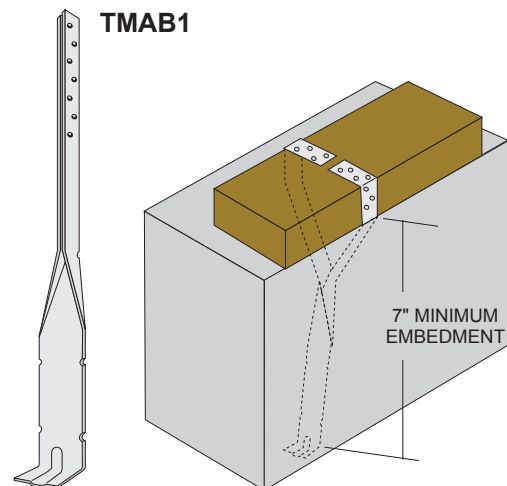
Available in G-185 Triple Zinc or Hot-Dip Galvanized. Call for availability.

MAS



MAS Typical Installation

TMAB1



TMAB1 Typical Installation in Concrete

ITEM ID	REF.	LENGTH (INCHES)	MUDSILL SIZE (INCHES)	NAIL SCHEDULE ¹		ALLOWABLE UPLIFT (LBS)	
				SIDES	TOP	SYP	DFL
TMAB1	MAB15	12-1/2	2 x 4, 6	6	8	980	980
MAS	MAS		2 x 4, 6	2	4	815	703
				4	2	815	815