

## HURRICANE STRAPS

**DESIGN FEATURES:** Provide the builder with a complete range of tie straps to meet a variety of application and design load conditions and specifications.

**APPLICATIONS:**

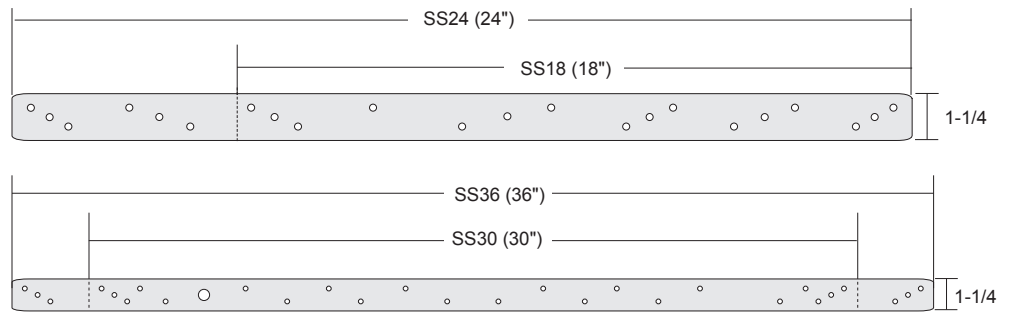
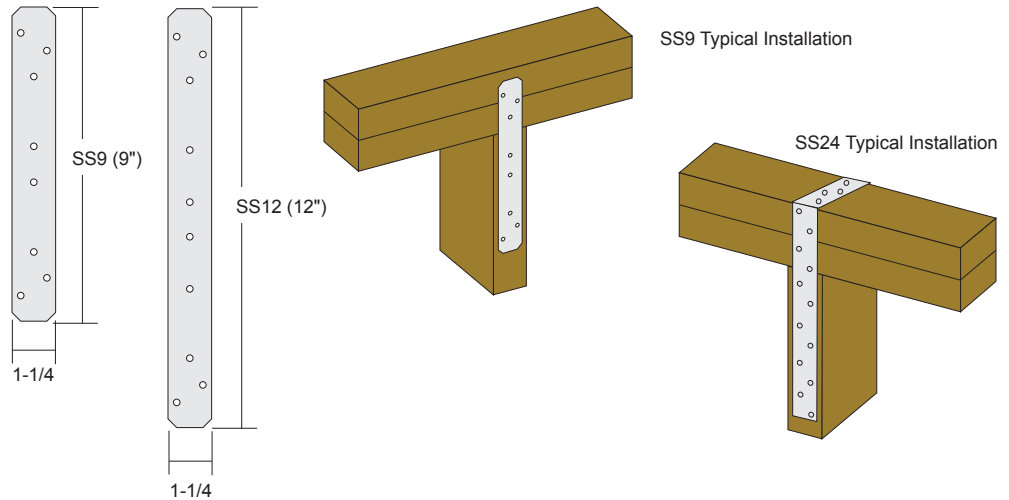
Use as all-purpose ties to connect studs to sill, rafters to plates and beams, wall intersections, ridges, upper floor to lower floor wall studs, window reinforcement. All nail holes must be filled to achieve published uplift values. Special lengths available based upon your specifications (not specifically code listed due to many length combinations). Considered essential by code officials and insurance companies in maintaining a continuous load path, therefore mitigating destruction from high winds and seismic activity. SS18/24 have notched corners (more user friendly) SS9/12 have 4 holes within 1-1/2" of one end to enable 4 nails to enter a bottom plate per TDI request.

**MATERIAL:** 20 ga. & 18 ga. galvanized steel

**CODES:** FL Approval #8283, ICC ESR-1347

**NOTES:**

- Nails are 10d by 3 inch joist hanger nails complying with section 3.8.3. Allowable tension loads are based on conditions with an equal number of nails on either side of the connection. In cases where this condition is not met, allowable tension loads must be based on the side of the connection having the fewest nails. 10d x 1-1/2" nails can be substituted for 10d x 3" nails. Section 3.8.3 of the report allows the use of both 1-1/2" and 3" nails because the shear capacity of both the nails is the same.
- Allowable tension loads include load duration factor of 1.6 per section 2.3.2 of NDS 2001. No further increases in allowable loads are permitted.
- Allowable tension loads are based on Southern Pine (SYP) with a specific gravity of 0.55, Douglas Fir-Larch (DFL) with specific gravity 0.50, and Spruce-Pine-Fir (SPF) or Hem-Fir (HF) with specific gravity of 0.42.
- Tabulated loads are for ASTM A653 Steel with  $F_y=33$  ksi and  $F_u=45$  ksi
- Tabulated loads are without a 33% steel stress increase. Application of steel stress increase is not permitted.



ITEM ID	REF.	STEEL GAUGE	DIMENSIONS		NAIL SCHEDULE <sup>1</sup>	ALLOWABLE TENSION LOADS (LBS)		
			WIDTH	LENGTH		SYP	DFL	SPF/HF
SS9	LSTA9	20	1-1/4	9	8-10d	787	730	627
SS12	LSTA12	20	1-1/4	12	10-10d	873	873	874
SS18	LSTA18	20	1-1/4	18	16-10d	873	873	873
SS24	LSTA24	20	1-1/4	24	22-10d	873	873	873
SS30	LSTA30	18	1-1/4	30	22-10d	1164	1164	1164
SS36	LSTA36	18	1-1/4	36	26-10d	1164	1164	1164

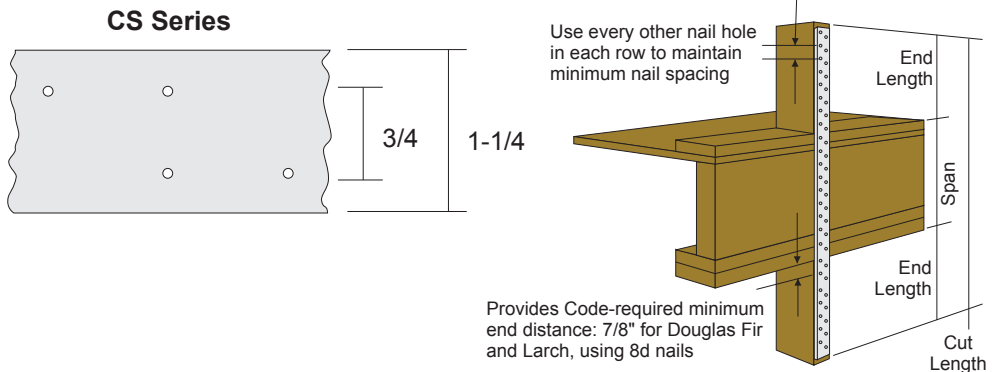
## COIL STRAPS

**DESIGN FEATURES:** Coiled strapping consists of continuous coils which are designed to be cut to length on the job as required. No need to order 10", 18" or 24" straps, etc. Staggered hole pattern reduces wood splitting. Used to secure or wrap existing buildings for seismic upgrade, to tie water heaters to floors and walls and for utility purposes such as hanging pipes from rafters, studs or joists, boxed for easier usage and storage.

**MATERIALS:** 20 ga., 18 ga. and 16 ga. galvanized steel

**CODES:** FL Approval #8283, ICC ESR-1347

**NOTE:** Design loads are based on the assumption that one half of the specified number of nails are installed in each of the two members connected.



ITEM ID	REF.	GA	TOTAL LENGTH (FEET)	WIDTH (INCHES)	END LENGTH (INCHES)	CUT TO LENGTH	TOTAL FASTENERS	ALLOWABLE LOADS	
								100 %	133 %
CS150	CS16	16	150'	1-1/4	14	CLEAR SPAN + 28"	26-8d x 1-1/2	1235	1650
					11	CLEAR SPAN + 22"	24-10d x 1-1/2	1235	1650
CS200	CS18	18	200'	1-1/4	9-1/2	CLEAR SPAN + 19"	20-8d x 1-1/2	950	1270
					9	CLEAR SPAN + 18"	18-10d x 1-1/2	950	1270
CS250	CS20	20	250'	1-1/4	7-1/2	CLEAR SPAN + 15"	16-8d x 1-1/2	750	1005
					7	CLEAR SPAN + 14"	14-10d x 1-1/2	750	1005