

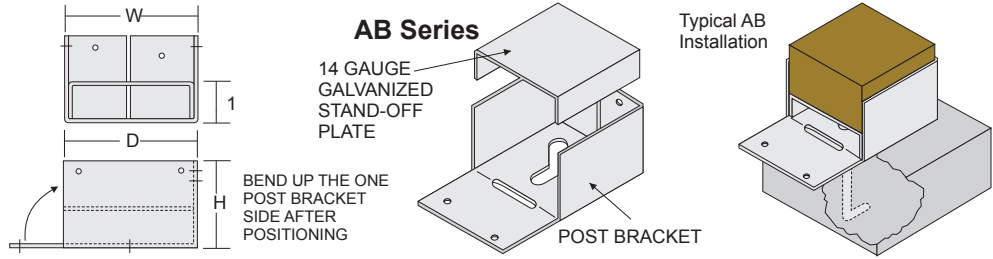
POST BASE

DESIGN FEATURES: Provide fully-adjustable post base plus moisture and sanitary protection - also used for new construction or remodeling applications where damp rot is a problem. Bending slot provides greater ease of installation. For an easy adjustment to a previously set 1/2" concrete fastener (or bolt and cement insert), use the slotted hole. Also available in rough post sizes.

MATERIAL: 18 ga. and 16 ga. galvanized steel with a 14 ga. galvanized stand-off plate.
Available in G-185 Triple Zinc or Hot-Dip Galvanized. Call for availability.

CODES: ICC ER-2894

SPECIAL: Stand-off plate provides flat-end bearing area for posts and keeps the post end 1-3/16" above the surface moisture.



ITEM ID	REF.	POST SIZE	DIMENSIONS (INCHES)			NAIL SCHEDULE	ALLOWABLE LOADS (LBS)		
			D	W	H		UPLIFT	LATERAL	DOWN
AB44	AB44	4 x 4	3-9/16	3-9/16	2-7/8	8-10d	1195	590	4165
AB46	AB46	4 x 6	5-1/2	3-9/16	2-7/8	10-10d	1505	755	6165
AB66	AB66	6 x 6	5-1/2	5-1/2	2-7/8	12-10d	1810	905	11665

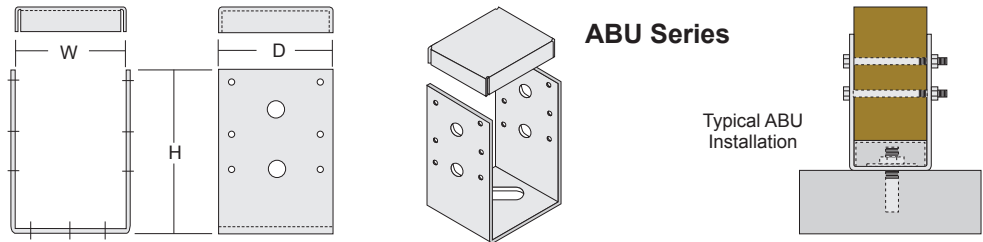
ADJUSTABLE ANCHORS

DESIGN FEATURES: The AAE44L provides higher uplift capacity because of extended sides with extra bolts and nailing schedules. The AAEL anchors are also available in rough lumber sizes.

MATERIAL: 12 ga. galvanized steel with a 12ga. galvanized stand-off plate
Available in G-185 Triple Zinc or Hot-Dip Galvanized. Call for availability.

CODES: ICC ER-2894

SPECIAL: Economical price and ease-of-use make these ideal hangers for the do-it-yourself market.

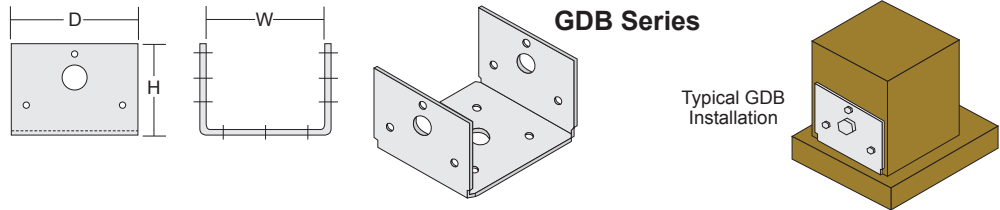


ITEM ID	REF.	POST SIZE	DIMENSIONS (INCHES)			NAIL SCHEDULE	ALLOWABLE LOADS (LBS)	
			D	W	H		UPLIFT	DOWN
ABU44	ABU44	4 x 4	3	3-9/16	5-1/2	12-16d	2290	6665
ABU46	ABU46	4 x 6	3	5-1/2	5-1/2	12-16d	2290	10335
ABU66	ABU66	6 x 6	5	5-1/2	5-1/2	12-16d	2290	15000
ABU88	ABU88	8 x 8	7	7-1/2	7	18-16d	2290	15870

DECK ANCHORS

DESIGN FEATURES: Eliminates toe-nailing of the post or column to a flat surface. The bottom plate 1/2" bolt hole can be set to concrete with a 1/2" bolt, cement nails or "gun" inserts.

MATERIAL: 18 ga. galvanized steel;
Available in G-185 Triple Zinc or Hot-Dip Galvanized. Call for availability.



ITEM ID	REF.	POST SIZE	DIMENSIONS (INCHES)			NAIL SCHEDULE	ALLOWABLE LOADS (LBS)	
			D	W	H		UPLIFT	DOWN
GDB44	BC40	4 x 4	3	3-9/16	2-7/8	10-16d	535	535

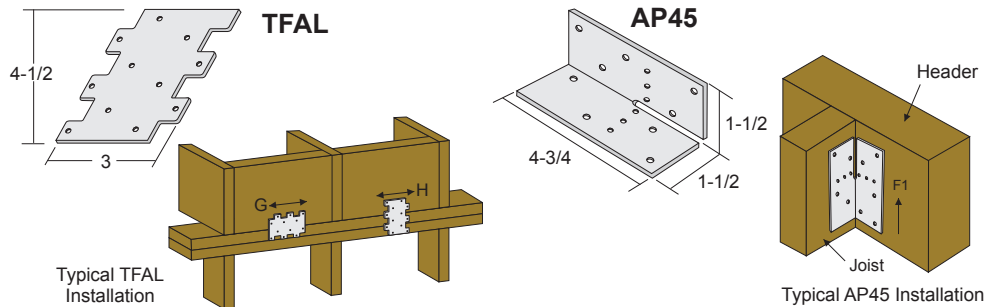
FRAMING ANCHORS

DESIGN FEATURES: Provides a plate to transfer the shear force to the blocking connection or rim joist from the top plate. The improved nail pattern helps prevent splitting of the wood members for both single/double top plate situations.

AP45 anchors provide the builder with the industry's most versatile framing anchor including: Bending slots - make accurate bends for all 2 and 3-way anchoring ties on the job.

MATERIAL: 18 ga. galvanized steel
Available in G-185 Triple Zinc or Hot-Dip Galvanized. Call for availability.

CODES: ICC ER-5271



ITEM ID	REF.	NAIL SCHEDULE		DIRECTION OF LOAD ^{1,2}	ALLOWABLE LOADS ^{1,2,3} (LBS)			
		JOIST, RIM JOIST or BLOCKING	HEADER or PLATE(S)		C _o = 1.0	C _o = 1.15	C _o = 1.25	C _o = 1.6
TFAL	LTP4	6-8d x 1-1/2	6-8d x 1-1/2	G or H	590	670	725	910
AP45	A35	6-8d x 1-1/2	6-8d x 1-1/2	F1	590	650	650	650