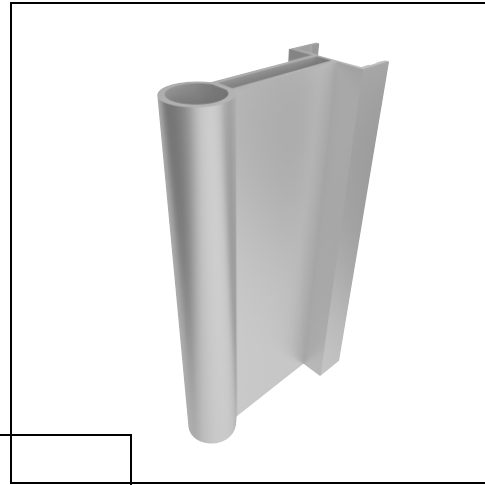
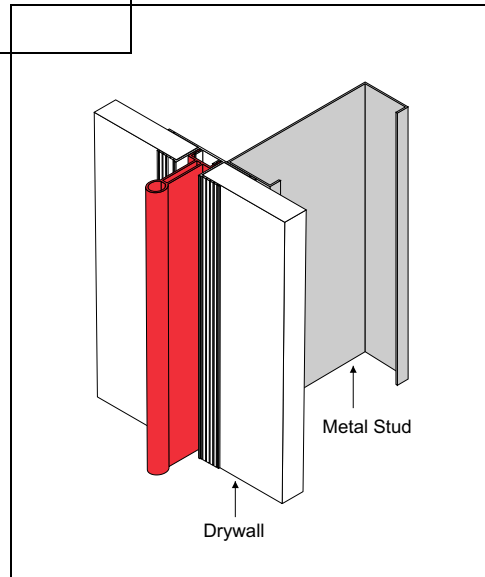
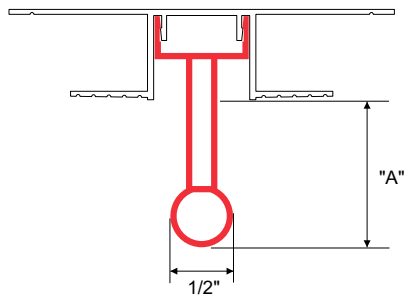
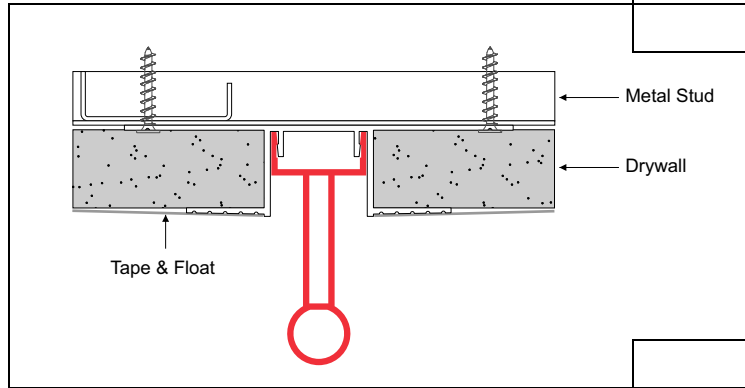


Paired with Channel Reveal this unique blade projection creates an attractive look in any space. Ridged faces provided for taping and floating with drywall installation. Can also be used in conjunction with panels and wrapped surface finishes such as fabric or vinyl wall coverings. Used vertically or diagonally. Available in 10' length.

6063 T5 aluminum with standard clear anodized or primed finish. Anodized color and powder coating finishes available with custom color matching.



Patent Pending



ITEM ID	"A" (LENGTH)
IBRR-100	1"
IBRR-200	2"
IBRR-300	3"