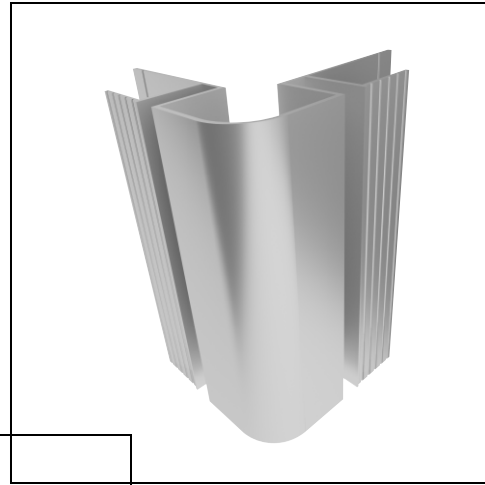


Design feature with rounded edge for vertical and horizontal (for fur-down applications) drywall or panel corners. Can be used in conjunction with wrapped surface finishes such as fabric or vinyl wall coverings. Provides corner protection and reveal creates the illusion of a floating corner. Ridged faces provided for taping and floating. Available in 10' length.

6063 T5 aluminum with standard clear anodized or primed finish. Anodized color and powder coating finishes available with custom color matching.



Patent Pending

