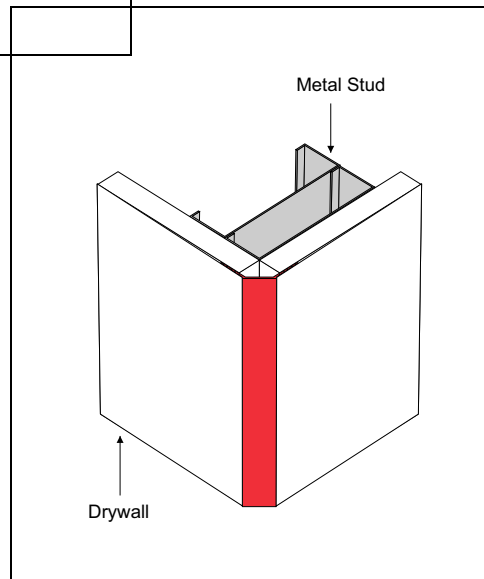
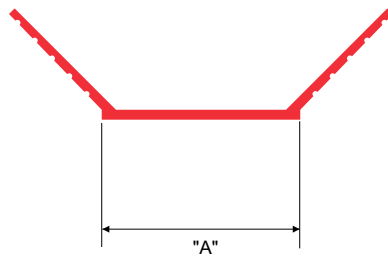
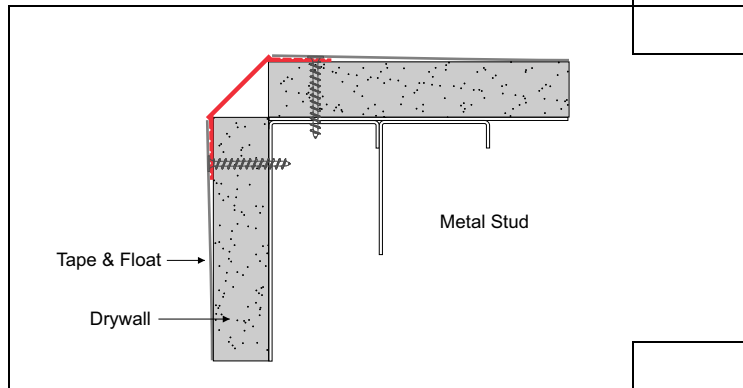
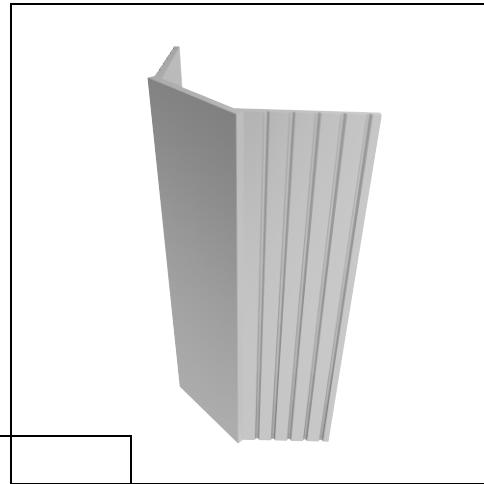


Modern and modest beveled corner profile.
 Provides corner protection and streamlined design
 for vertical or horizontal drywall or panel corners.
 Can be used in conjunction with wrapped surface
 finishes such as fabric or vinyl wall coverings.
 Available in 10' length.

6063 T5 aluminum with standard clear anodized or
 primed finish. Anodized color and powder coating
 finishes available with custom color matching.



| ITEM ID | "A" (BEVEL) |
|---------|-------------|
| CBV-100 | 1" |
| CBV-200 | 2" |