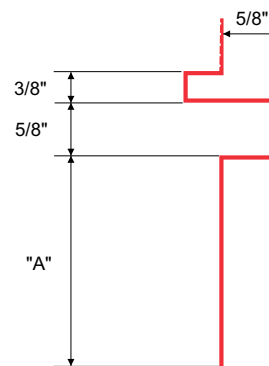
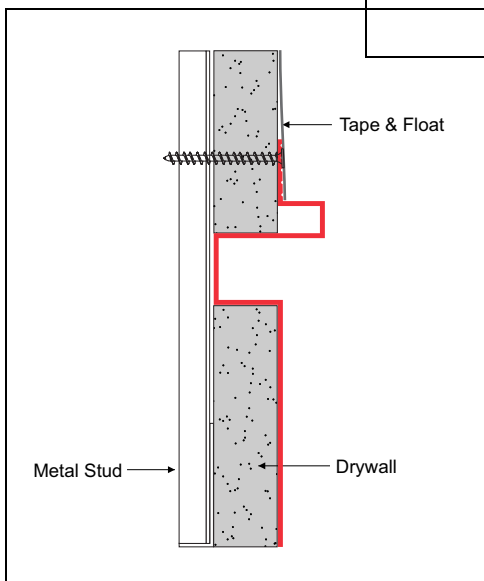
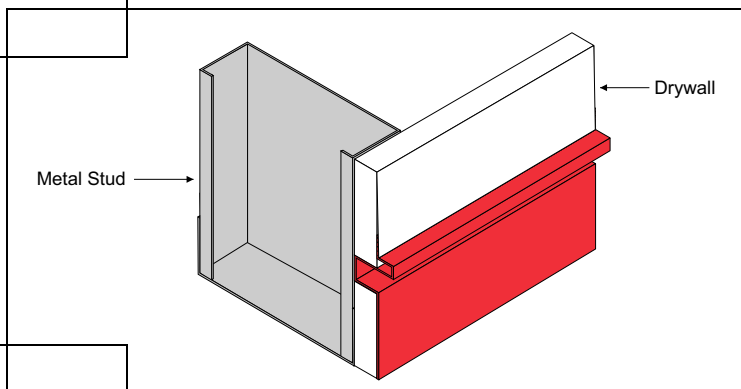


Patent Pending

Unique profile that creates a combination reveal and projecting detail line at the bottom of a wall just above floor surface or at the top of a wall just below the ceiling surface. Projecting square edge adds classic and refined detail. Ridged face provided for taping and floating. Can be used in conjunction with wrapped surface finishes such as fabric or vinyl wall coverings. Used horizontally. Available in 10' length.

6063 T5 aluminum with standard clear anodized or primed finish. Anodized color and powder coating finishes available with custom color matching.



ITEM ID	"A" (LENGTH)
BPSR-250	2-1/2"
BPSR-300	3"