

Starter Strip

DESIGN FEATURES

Starter/bottom course for both vertical and lap siding.
Provides ease-of-installation with correct angle.

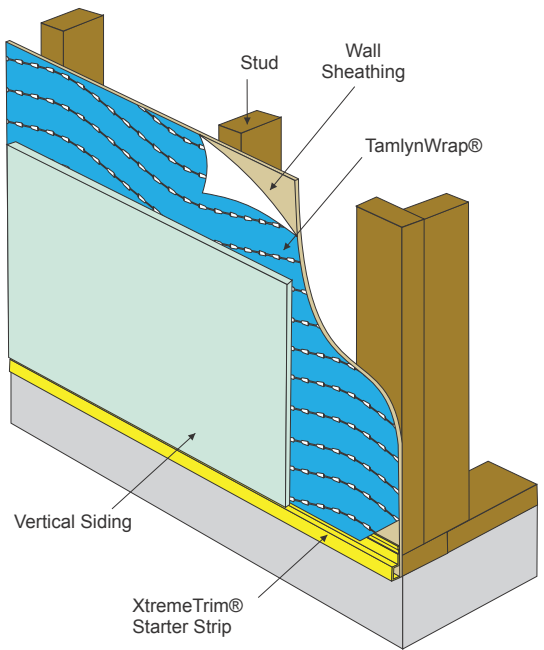
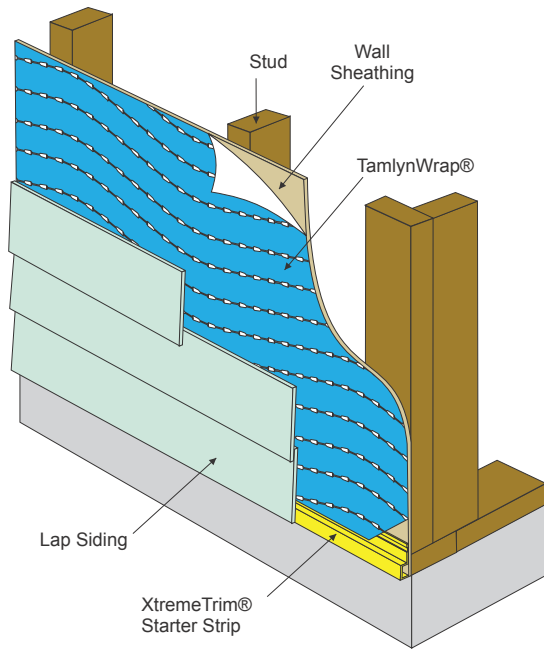
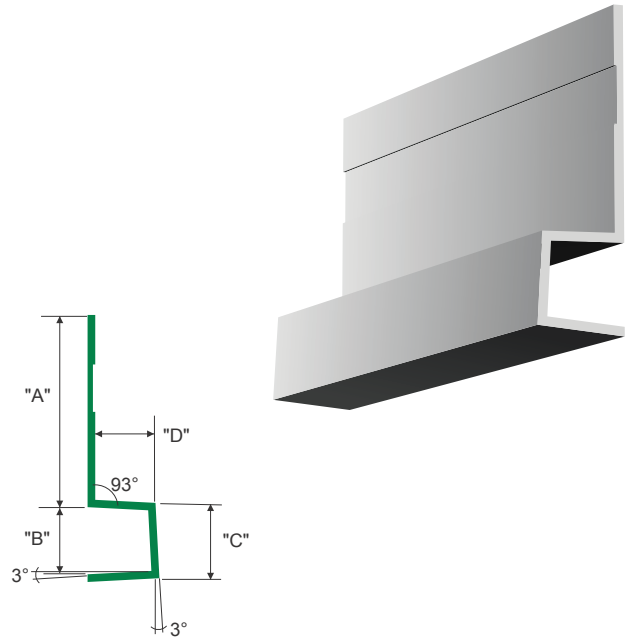
MATERIAL

6063-T5 .040" ± .005 extruded aluminum alloy with proprietary coating that protects against harsh weather conditions and allows for paint adhesion.

FINISH

Unless specified all XtremeTrim® items are provided in primed finish. Also available in popular siding/soffit colors in standard face only color match or full coverage CoastalColorCoating™. Clear Anodized is stocked and custom anodized is available (minimums apply).

Illustration not to scale



ITEM ID	"A"	"B"	"C"	"D"	SIDING SIZE
XS516	1"	5/16"	3/8"	5/16"	5/16" Lap or Panel

All parts are 8' Length unless otherwise indicated

