

# Reveal Open Outside Corner - Transition

## DESIGN FEATURES

Provides a smooth transition from vertical siding panels to lap siding.

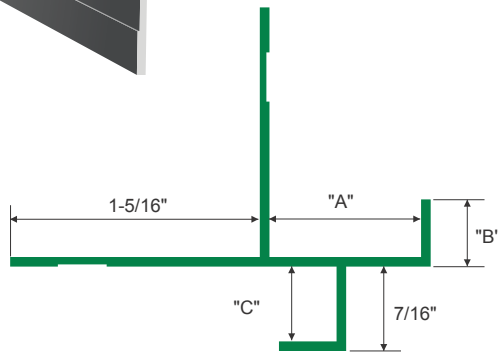
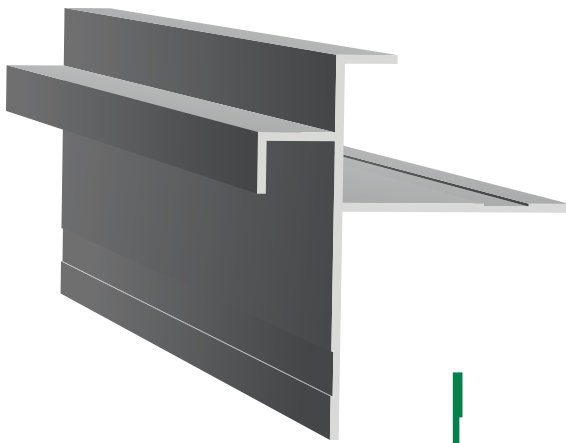
## MATERIAL

6063-T5 .050" ± .005 extruded aluminum alloy with proprietary coating that protects against harsh weather conditions and allows for paint adhesion.

## FINISH

Unless specified all XtremeTrim® items are provided in primed finish. Also available in popular siding/soffit colors in standard face only color match or full coverage CoastalColorCoating™. Clear Anodized is stocked and custom anodized is available (minimums apply).

Illustration not to scale



ITEM ID	"A"	"B"	"C"	SIDING SIZE
XOCR51634	3/4"	3/8"	3/8"	5/16" to 3/4", 5/16" Lap
XOCR51615	1-1/2"	3/4"	3/8"	5/16" to 1-1/2"

All parts are 10' Length unless otherwise indicated

