

# Reveal Open Outside Corner

## DESIGN FEATURES

Provides a clean minimal set away open outside corner in an inset style which compliments the Vertical Reveal System.

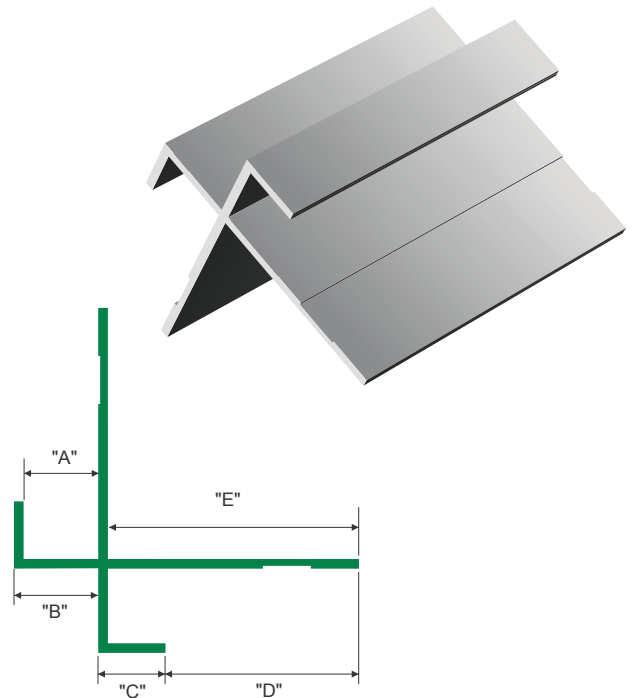
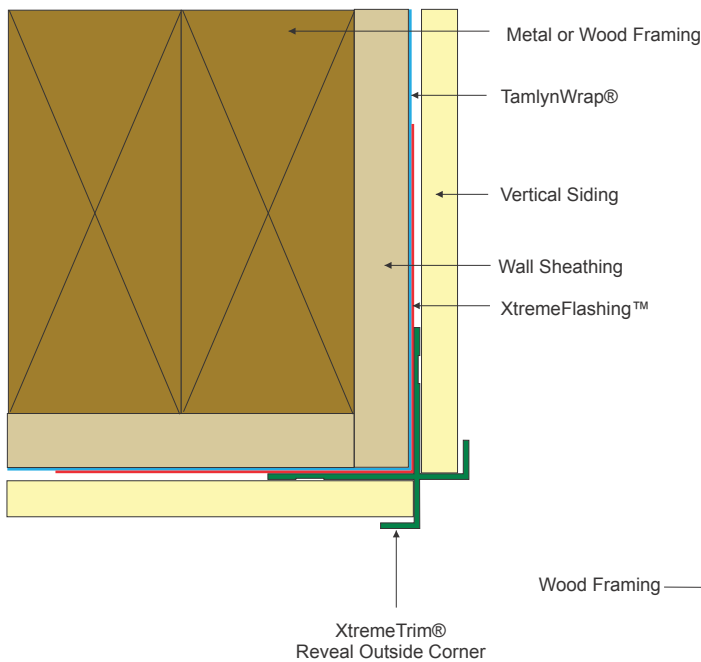
## MATERIAL

6063-T5 .050" ± .005 extruded aluminum alloy with proprietary coating that protects against harsh weather conditions and allows for paint adhesion.

## FINISH

Unless specified all XtremeTrim® items are provided in primed finish. Also available in popular siding/soffit colors in standard face only color match or full coverage CoastalColorCoating™. Clear Anodized and custom anodized are available (minimums apply).

Illustration not to scale



ITEM ID	"A"	"B"	"C"	"D"	"E"	SIDING SIZE
XOCR516	3/8"	7/16"	3/8"	1"	1-5/16"	5/16"
XOCR716	15/32"	19/32"	3/8"	1-3/16"	1-1/2"	7/16"
XOCR58	5/8"	11/16"	1/2"	1-3/16"	1-5/8"	5/8"
XOCR34	3/4"	27/32"	5/8"	3/4"	1-5/16"	3/4", 5/16" Lap
XOCR1	1"	1-1/8"	3/8"	1"	1-3/8"	1"
XOCR15	1-1/2"	1-9/16"	3/8"	1"	1-5/16"	1-1/2"

All parts are 10' Length unless otherwise indicated

