

# Low Profile Outside Corner

## DESIGN FEATURES

Very popular face sizes which offer a clean outside corner for vertical siding panels or lap siding. Works well with all vertical options.

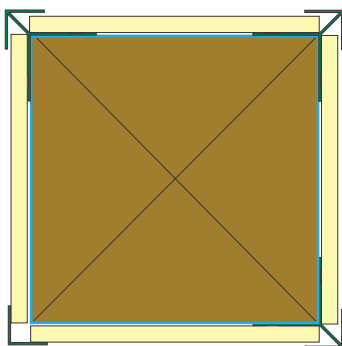
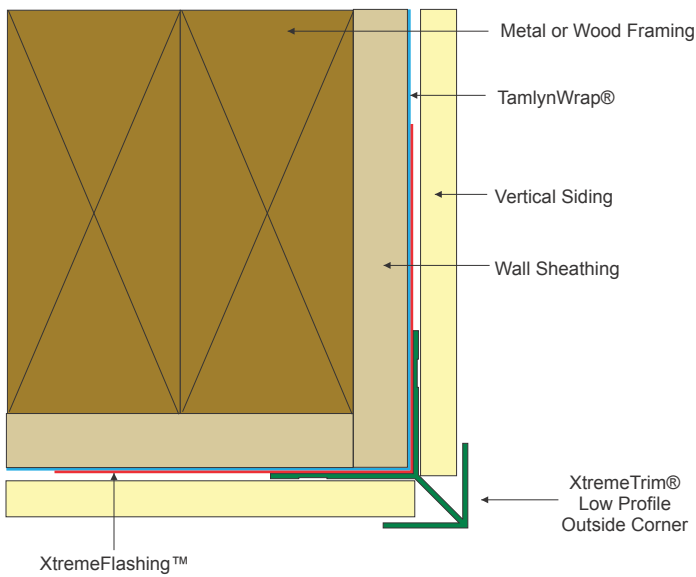
## MATERIAL

6063-T5 .050" ± .005 extruded aluminum alloy with proprietary coating that protects against harsh weather conditions and allows for paint adhesion.

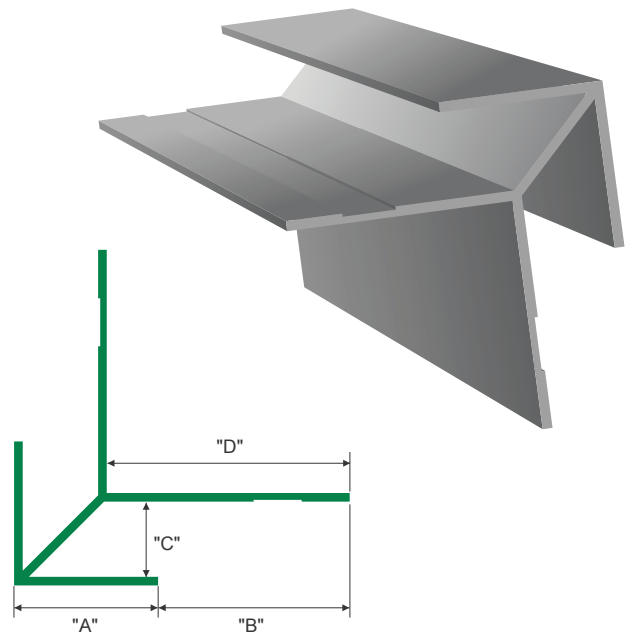
## FINISH

Unless specified all XtremeTrim® items are provided in primed finish. Also available in popular siding/soffit colors in standard face only color match or full coverage CoastalColorCoating™. Clear Anodized is stocked and custom anodized is available (minimums apply).

Illustration not to scale



Typical Column Wrap Detail:  
Utilize XOCLP and XL



ITEM ID	"A"	"B"	"C"	"D"	SIDING SIZE
XOCLP516	3/4"	1"	3/8"	1-1/4"	5/16"
XOCLP716	1"	1-3/16"	15/32"	1-1/2"	7/16"
XOCLP58	1-1/8"	1-1/4"	5/8"	1-5/8"	5/8"
XOCLP34	1-1/2"	1"	3/4"	1-5/8"	3/4", 5/16" Lap
XOCLP1	1-1/2"	1"	1"	1-3/8"	1"

All parts are 10' Length unless otherwise indicated

