

# Butted Outside Corner

## DESIGN FEATURES

Superior choice for use in mixed material applications. Gives a solid appearance and a versatile corner application that can be used with any vertical profiles.

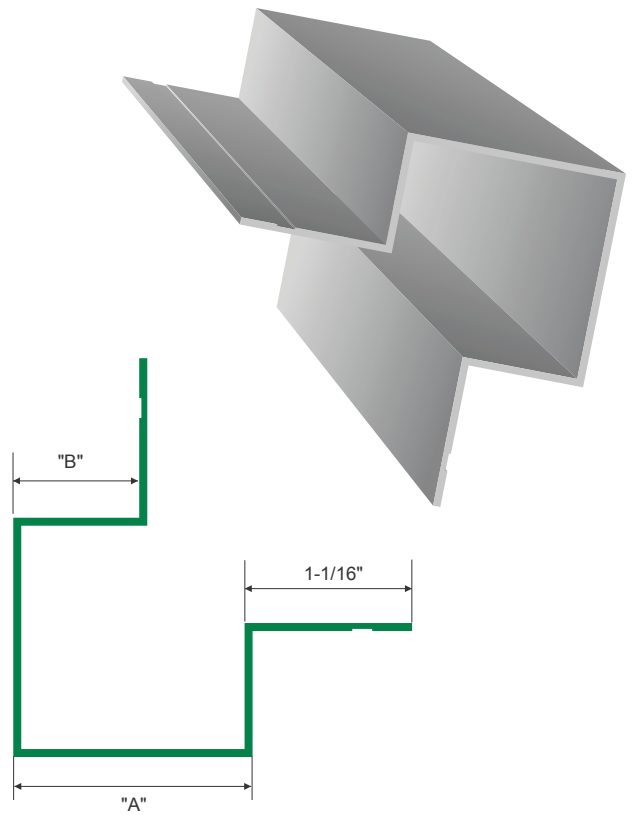
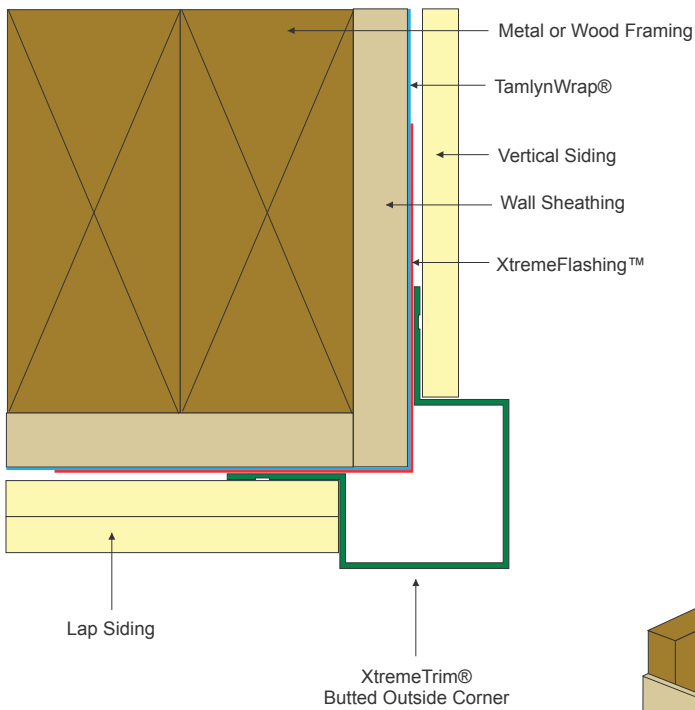
## MATERIAL

6063-T5 .050" ± .005 extruded aluminum alloy with proprietary coating that protects against harsh weather conditions and allows for paint adhesion.

## FINISH

Unless specified all XtremeTrim® items are provided in primed finish. Also available in popular siding/soffit colors in standard face only color match or full coverage CoastalColorCoating™. Clear Anodized is stocked and custom anodized is available (minimums apply).

Illustration not to scale



ITEM ID	"A"	"B"	SIDING SIZE
XOCBT	1-1/2"	3/4"	5/16", 3/4", 5/16" Lap

All parts are 10' Length unless otherwise indicated

