

Batten Outside Corner

DESIGN FEATURES

Batten Corner offers a bold, unique corner for vertical siding panels. Spacer tab creates reveal shadow line at corner.

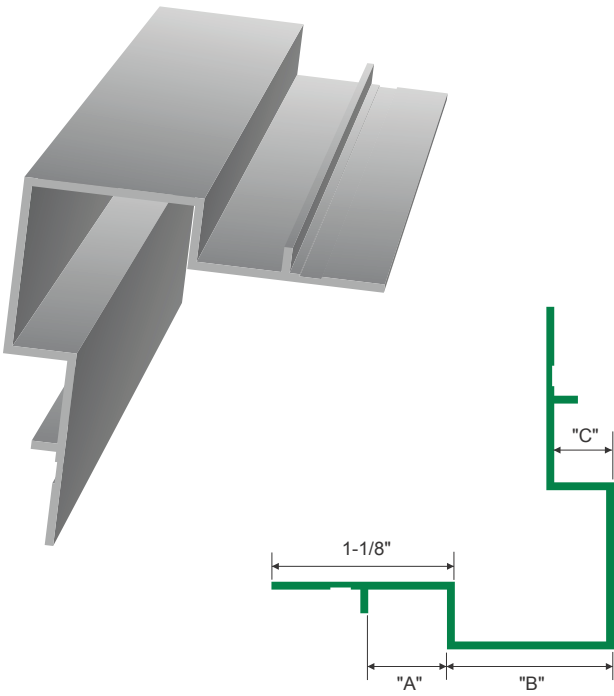
MATERIAL

6063-T5 .050" ± .005, extruded aluminum alloy with proprietary coating that protects against harsh weather conditions and allows for paint adhesion.

FINISH

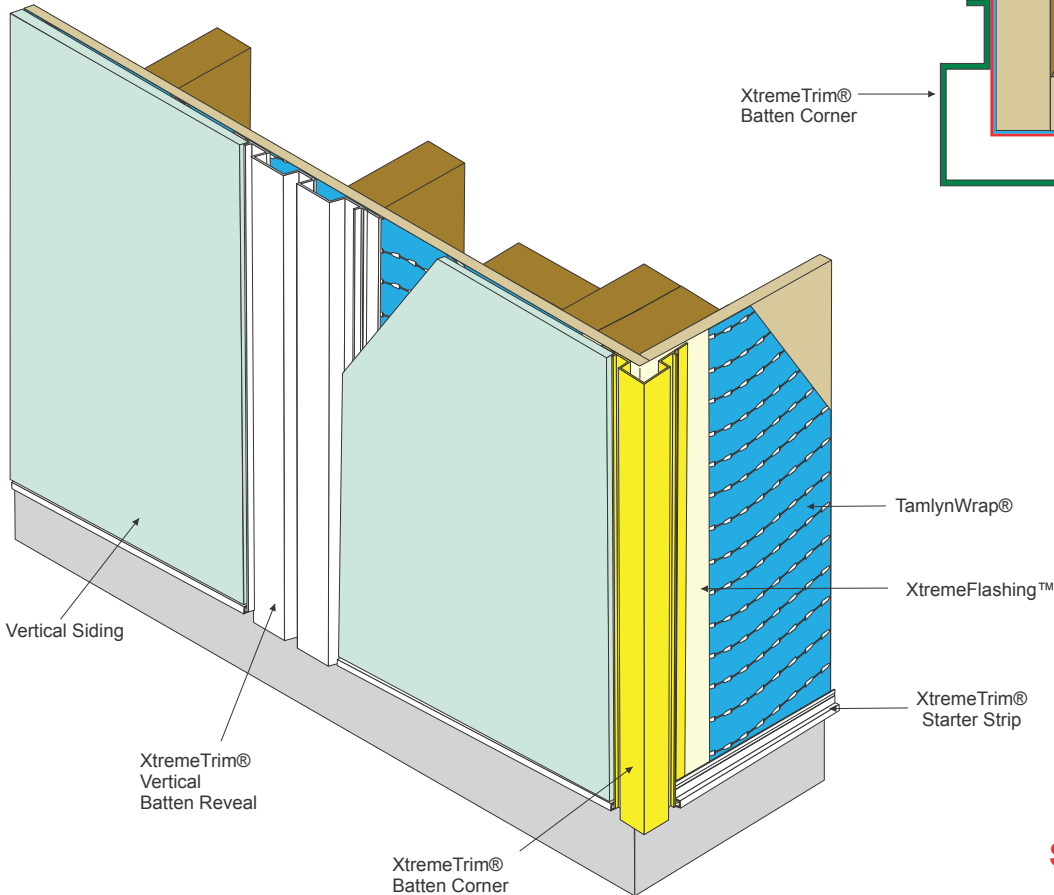
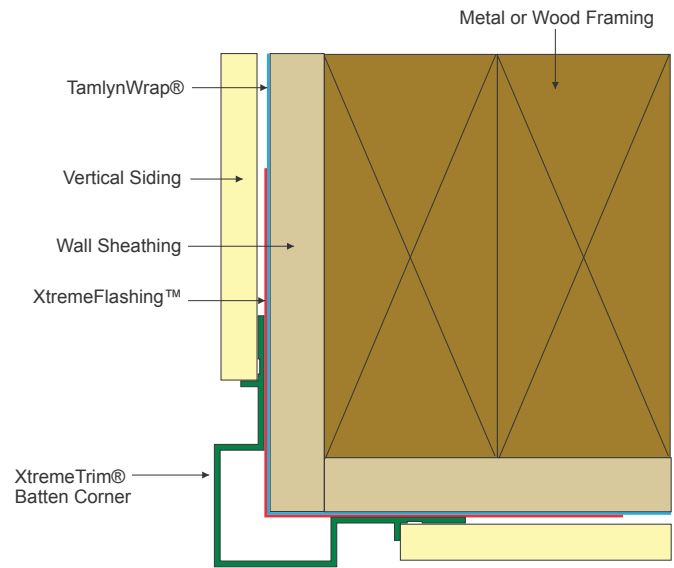
Unless specified all XtremeTrim® items are provided in primed finish. Also available in popular siding/soffit colors in standard face only color match or full coverage CoastalColorCoating™. Clear Anodized is stocked and custom anodized is available (minimums apply).

Illustration not to scale



ITEM ID	"A"	"B"	"C"	SIDING SIZE
XOCBN	1/2"	1"	3/8"	5/16"

All parts are 10' Length unless otherwise indicated



SPECIAL ORDER ITEM

Minimum order quantities apply