

# Blunt Panel Outside Corner

## DESIGN FEATURES

Unique design creates an aesthetically attractive blunt corner look, for a strong durable outside corner with vertical siding panels.

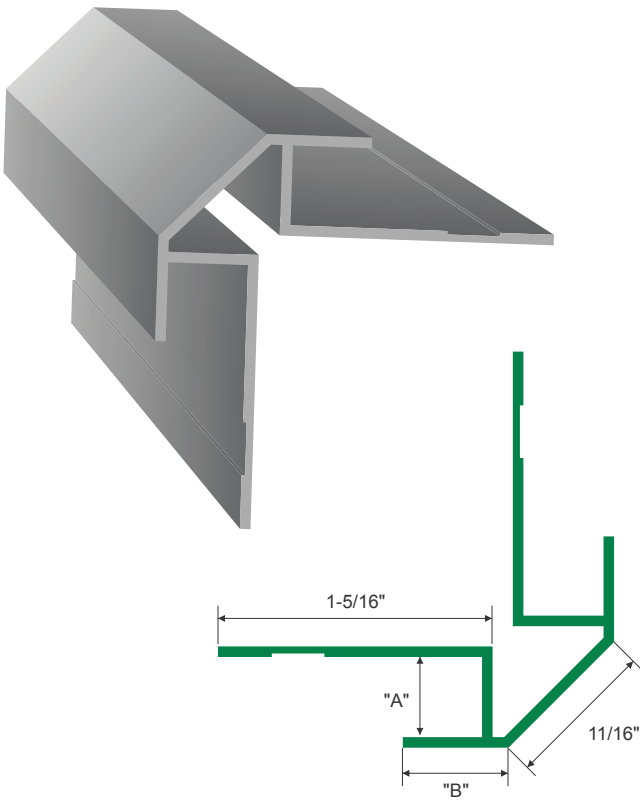
## MATERIAL

6063-T5 .050" ± .005 extruded aluminum alloy with proprietary coating that protects against harsh weather conditions and allows for paint adhesion.

## FINISH

Unless specified all XtremeTrim® items are provided in primed finish. Also available in popular siding/soffit colors in standard face only color match or full coverage CoastalColorCoating™. Clear Anodized is stocked and custom anodized is available (minimums apply).

Illustration not to scale



ITEM ID	"A"	"B"	SIDING SIZE
XOCBL516	3/8"	1/2"	5/16"

All parts are 10' Length unless otherwise indicated

