

Reveal Inside Corner

DESIGN FEATURES

Provides a clean, open Inside corner which compliments the Vertical Reveal System.

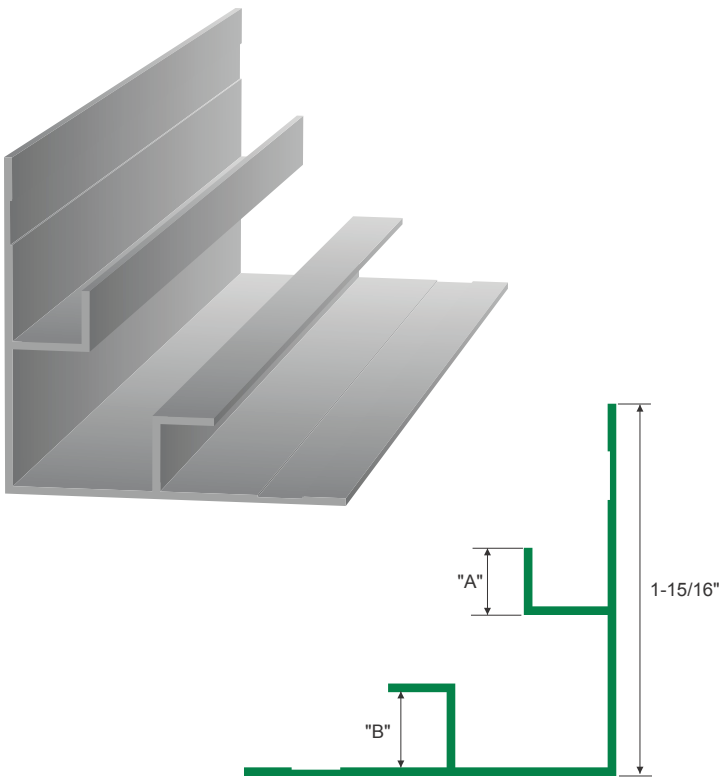
MATERIAL

6063-T5 .045" ± .005 extruded aluminum alloy with proprietary coating that protects against harsh weather conditions and allows for paint adhesion.

FINISH

Unless specified all XtremeTrim® items are provided in primed finish. Also available in popular siding/soffit colors in standard face only color match or full coverage CoastalColorCoating™. Clear Anodized is stocked and custom anodized is available (minimums apply).

Illustration not to scale



ITEM ID	"A"	"B"	SIDING SIZE
XICR516	3/8"	3/8"	5/16"

All parts are 10' Length unless otherwise indicated

