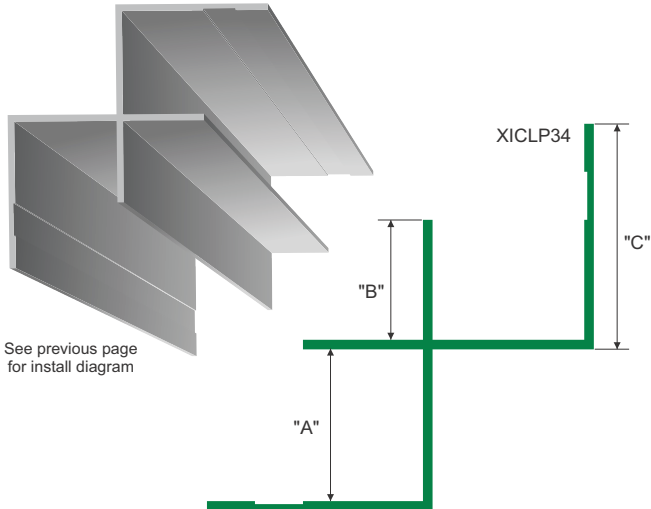
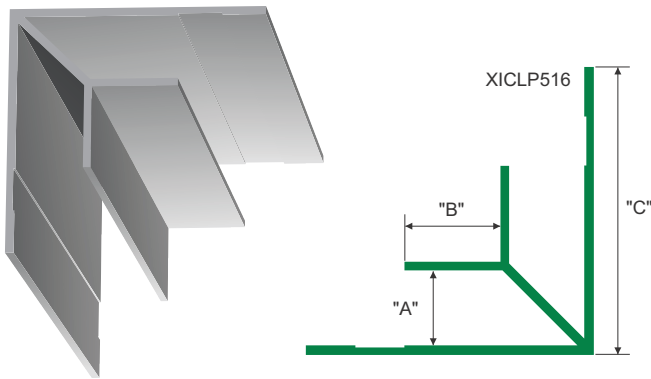


Low Profile Inside Corner



See previous page for install diagram

ITEM ID	"A"	"B"	"C"	SIDING SIZE
XICLP516	3/8"	1/2"	1-1/2"	5/16"
XICLP34	3/4"	5/8"	1-5/32"	3/4", 5/16" Lap

All parts are 10' Length unless otherwise indicated

DESIGN FEATURES

Minimal face produces a clean, pleasing durable inside corner for siding panels or lap siding.

MATERIAL

6063-T5 .050" ± .005 extruded aluminum alloy with proprietary coating that protects against harsh weather conditions and allows for paint adhesion.

FINISH

Unless specified all XtremeTrim® items are provided in primed finish. Also available in popular siding/soffit colors in standard face only color match or full coverage CoastalColorCoating™. Clear Anodized is stocked and custom anodized is available (minimums apply).

Illustration not to scale

