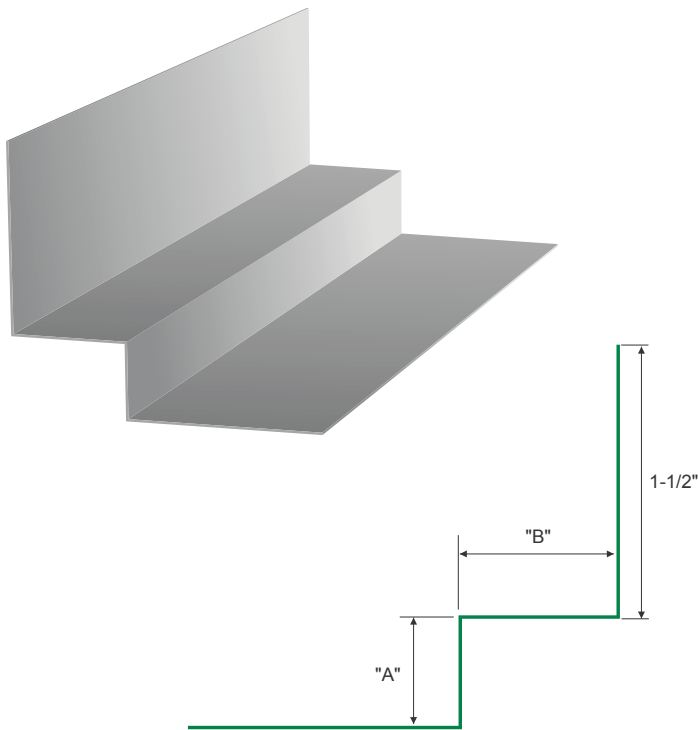


Inside Corner - Transition



DESIGN FEATURES

Design authentically duplicates the look of a wood corner piece without the maintenance headaches. Eliminates wood inside corner piece that will split/rot over time. Provides a smooth transition from vertical siding panels to lap siding.

MATERIAL

Primed: .019" ± .003 Galvanized steel with proprietary coating that protects against harsh weather conditions and allows for paint adhesion.

Color Matched: .019" ± .003 Aluminum sheet coated 2 sides with paint system that is specifically formulated for exterior applications.

FINISH

Unless specified all XtremeTrim® items are provided in primed finish. Also available in popular siding/soffit colors in standard face only color match or full coverage CoastalColorCoating™.

Illustration not to scale

ITEM ID	"A"	"B"	SIDING SIZE
XIC51634	1/2"	7/8"	5/16" to 5/16" Lap

All parts are 10' Length unless otherwise indicated

